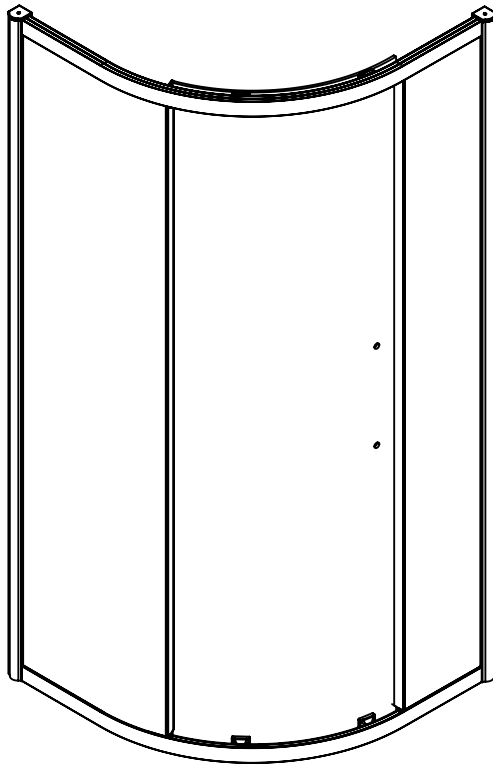


CLASSIQUE

QUADRANT DOOR

Burlington[®]



Optional handle & profile finial (not supplied with shower doors)

PRODUCT CODES:

CQQSSC0800

CQQSSC0900

CQQSGC0800

CQQSGC0900

CQQSLC0800

CQQSLC0900

CQ1909HDFNC

CQ1909HDFNG

CQ1909HDFNL

CQ1909PRFNC

CQ1909PRFNG

CQ1909PRFNL

CQ1850HDFNC

CQ1850HDFNG

CQ1850HDFNL

CQ1850PRFNC

CQ1850PRFNG

CQ1850PRFNL



IMPORTANT INFORMATION

Please read carefully and keep this information for further reference.

BEFORE STARTING THE INSTALLATION ENSURE ALL THE DOOR SIZE MEASUREMENTS CORRESPOND WITH THE INSTALLATION AREA INCLUDING THE FINISHED TILED/PANELLED WALLS. RETURNS DUE TO INCORRECT SIZING WILL NOT BE ACCEPTED.

Check the contents of the pack carefully before installation. Burlington will not be held responsible for any de-fit / re-fit costs where faulty product has been fitted. If any fault is found with materials or workmanship, it must be reported immediately to the manufacturer. Remedial action will be taken, based on information received, on condition that:

1. Full details are supplied to the manufacturer;

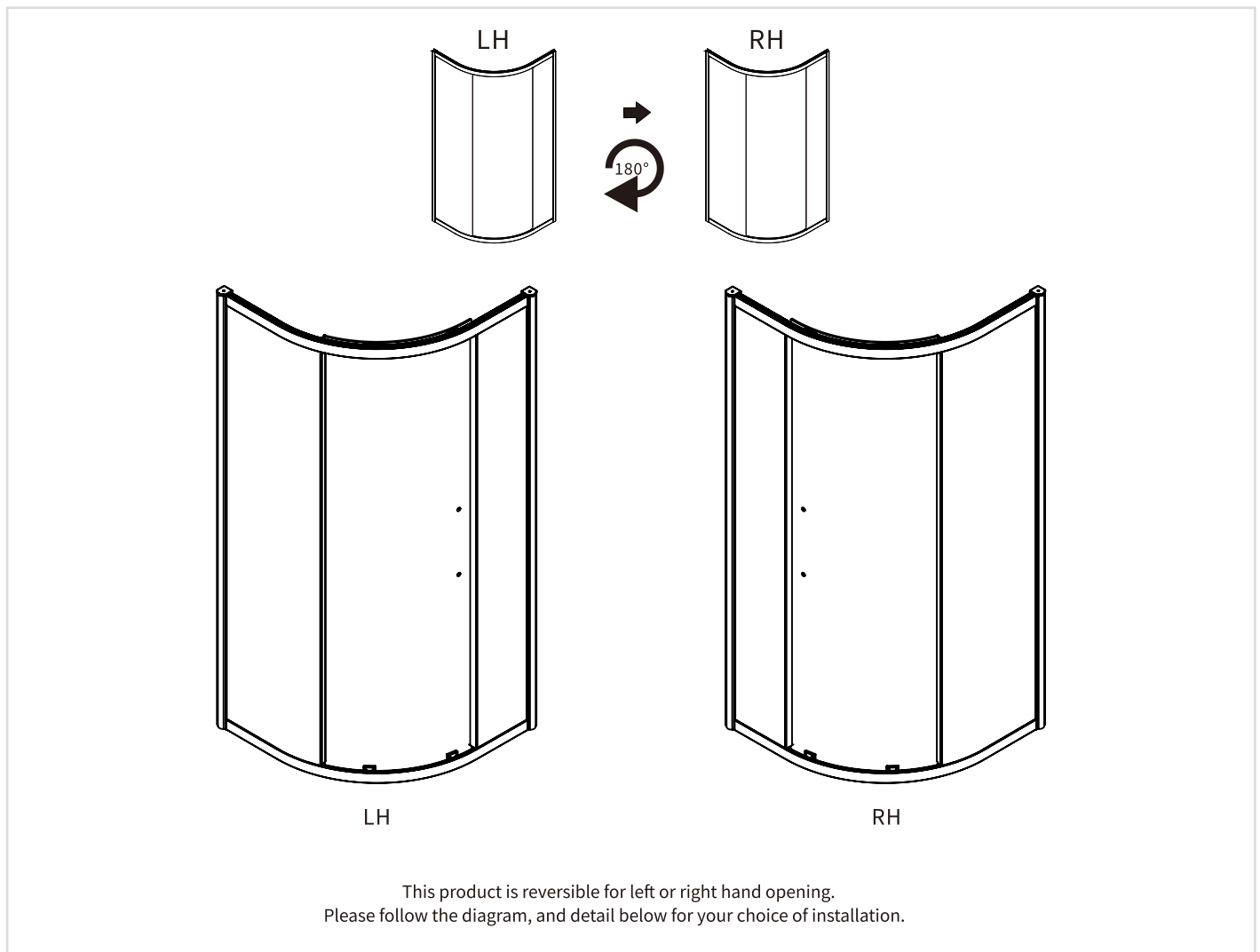
2. The enclosure has not been modified or tampered with;

3. The manufacturer is informed of any damage/shortages prior to installation.

VERY IMPORTANT

You must complete all tiling and grouting, and the shower tray **MUST** be level and fully sealed to the tiles before installation. If you do not fit the enclosure onto a tiled surface, or seal the tiles to the tray before installation, water may soak into the wall behind the wall profiles.

ORIENTATION



IMPORTANT INFORMATION

Please read carefully and keep this information for further reference.

The installation instructions are based on typical use and conditions. All doors are designed to open to the left or right. These hints have been prepared for your guidance, you must exercise due care at all times. For Health and Safety 2 people must carry out the installation of this shower enclosure. Handle glass with care. Although the glass supplied is toughened safety glass (EN12150), impacts can damage both the glass and the frame.

BEFORE YOU START

Warning!










Please check for any hidden pipes or cables before drilling holes in the wall.

When using power tools always follow the manufacturers user instructions.

If the Framework is sealed to the tray on the inside, any water that may get into the framework will not be able to drain back into the tray, this may cause the enclosure to leak.

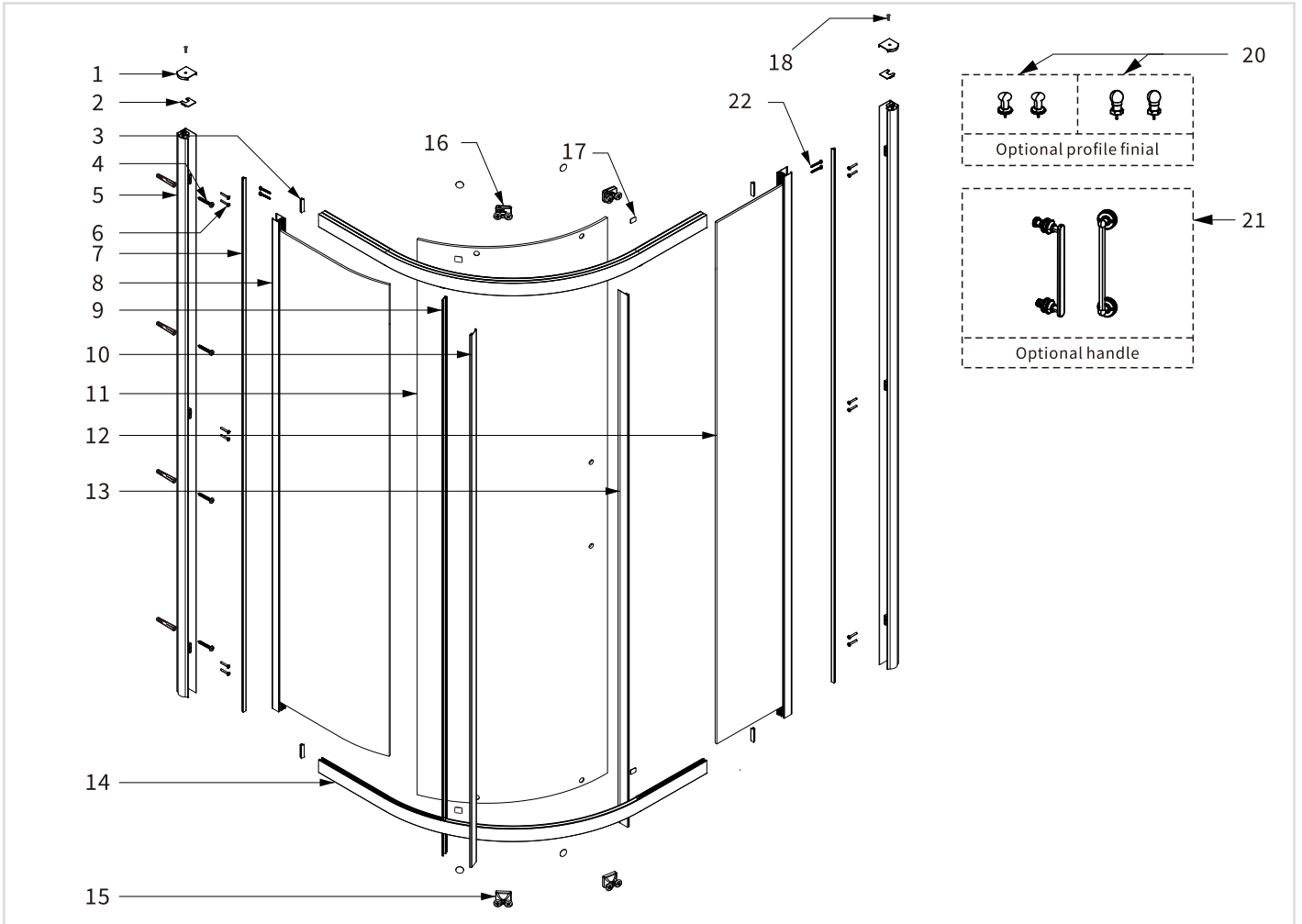
Leave the silicone sealant to dry for 24 hours before using the enclosure.

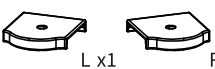
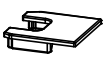


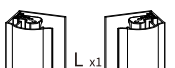



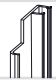

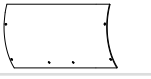
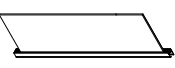








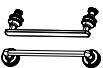

Tools Required (not supplied):

Spirit Level		Torque Screw Driver	
Pencil		Snips	
Drill		6mm Drill Bit	
Silicone		Measuring Tape	
Knife			

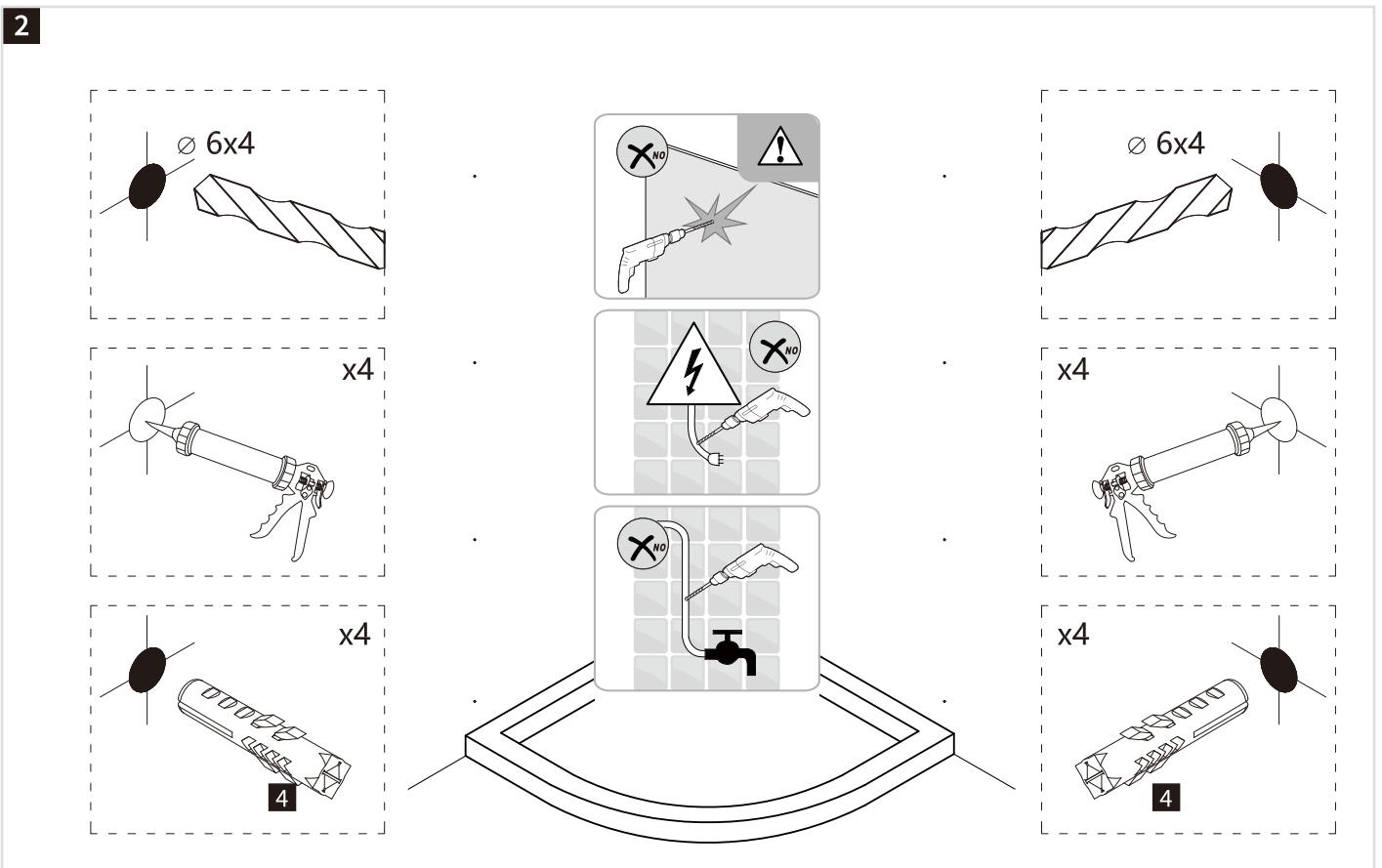
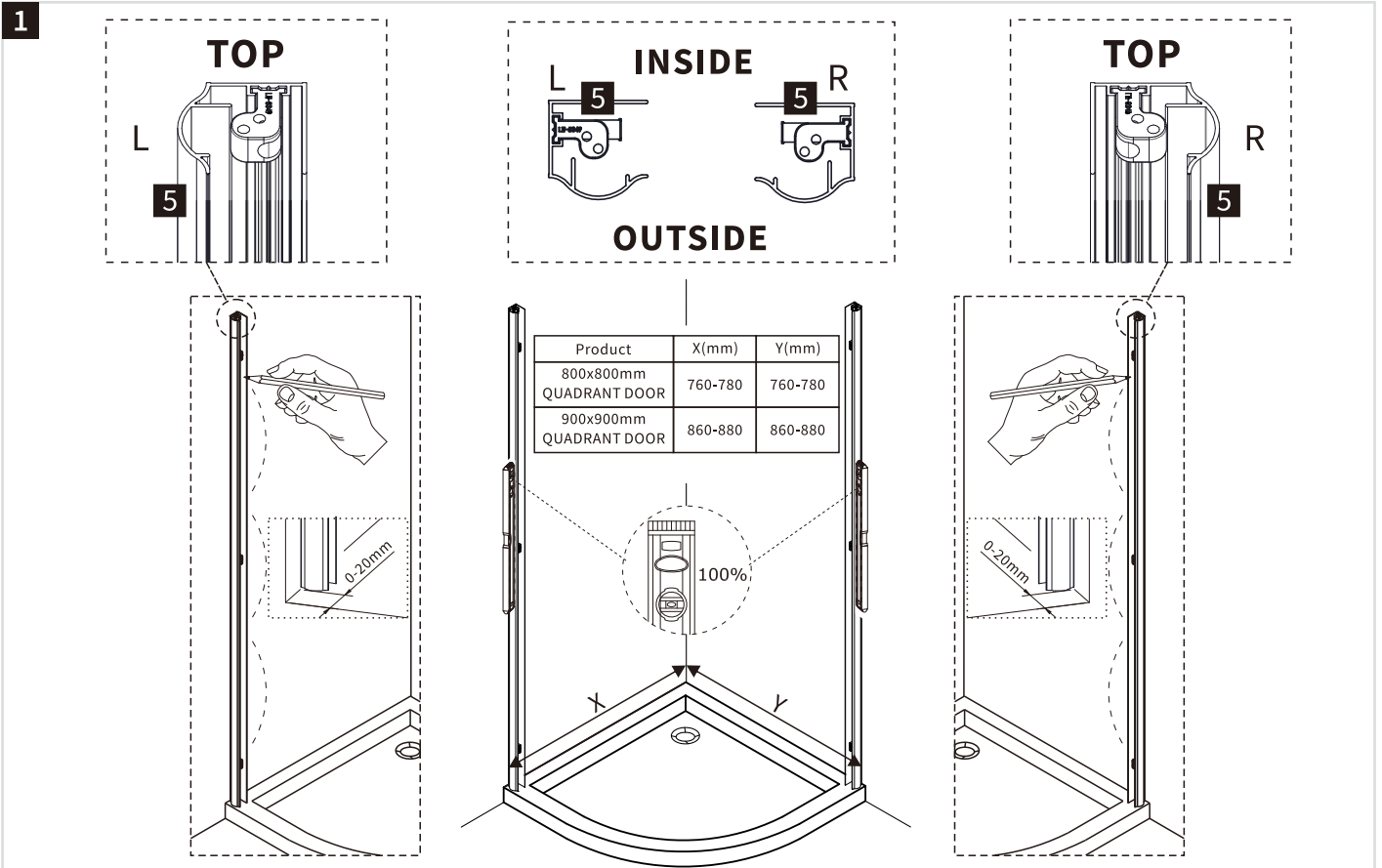
COMPONENTS

Burlington®



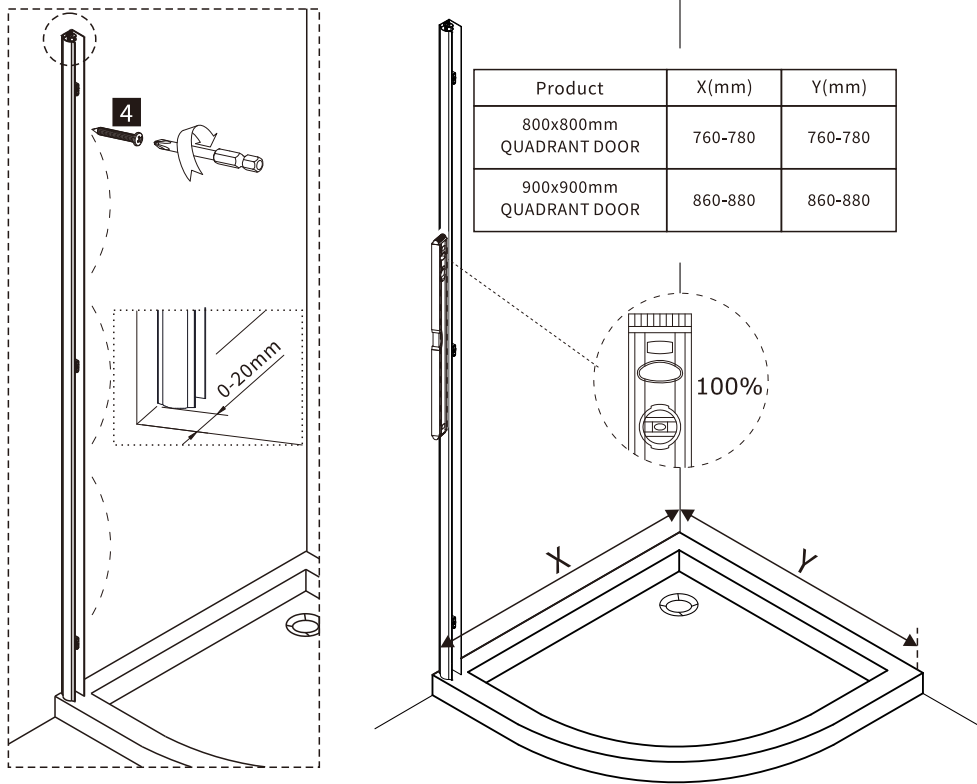
1		Wall profile cap L x1 R x1	2		Adjustment profile cap x2	3		Profile Cover x4
4		Wall Plug and 4x30mm Screw x8	5		Wall profile L x1 R x1	6		M5*30 Screw x12
7		Profile Cover x2	8		Curved Fixed Panel x1	9		Moving Door Seal x1
10		Curved Fixed Panel Seal x1	11		Moving Door x1	12		Flat Fixed Panel x1
13		Flat Fixed Panel Seal x1	14		Rail x2	15		Bottom Roller x2
16		Top Roller x2	17		Buffer cap x4	18		M5*14 Screw x2
19		Ball Head Allen Key 2.5mm x1 3mm x1 4mm x1	20		Optional profile finial x2	21		Optional handle x1
22		ST4x30mm Screw x8						

INSTALLATION

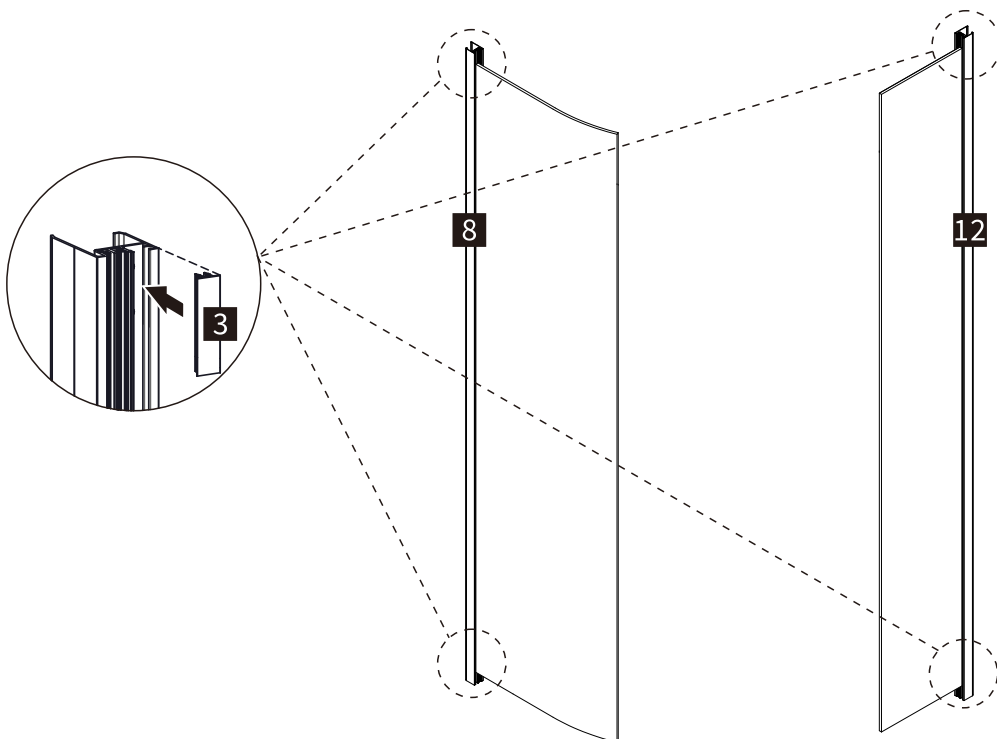


INSTALLATION

3

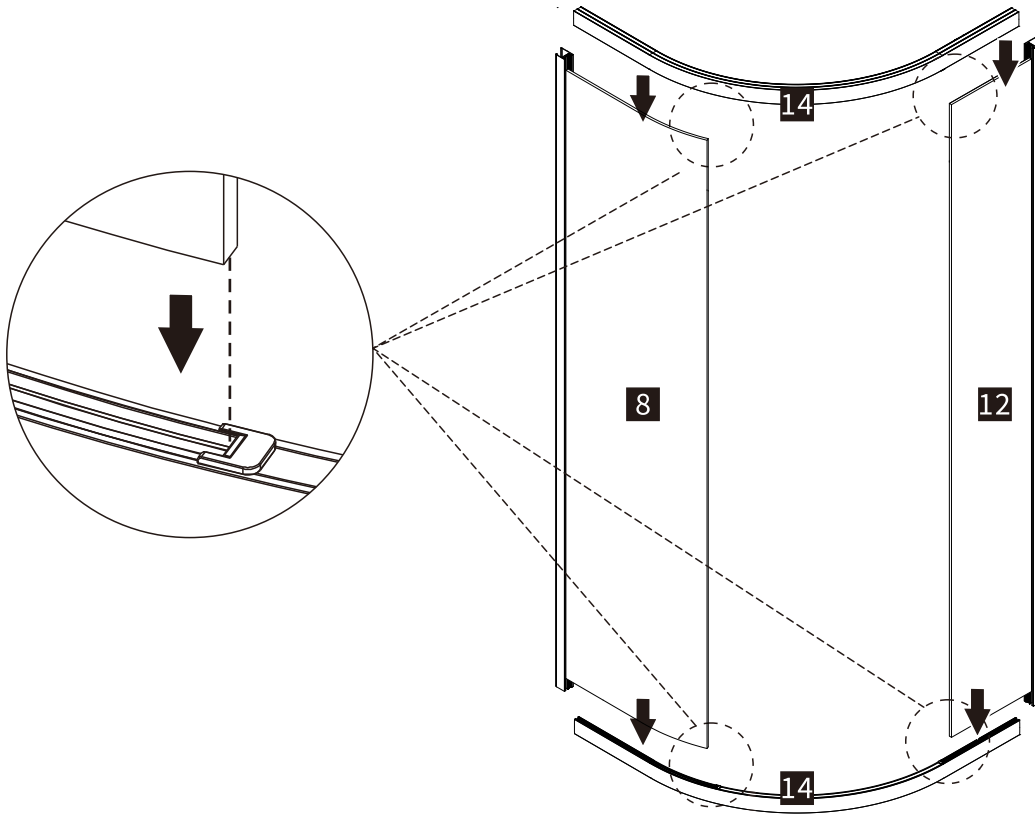


4

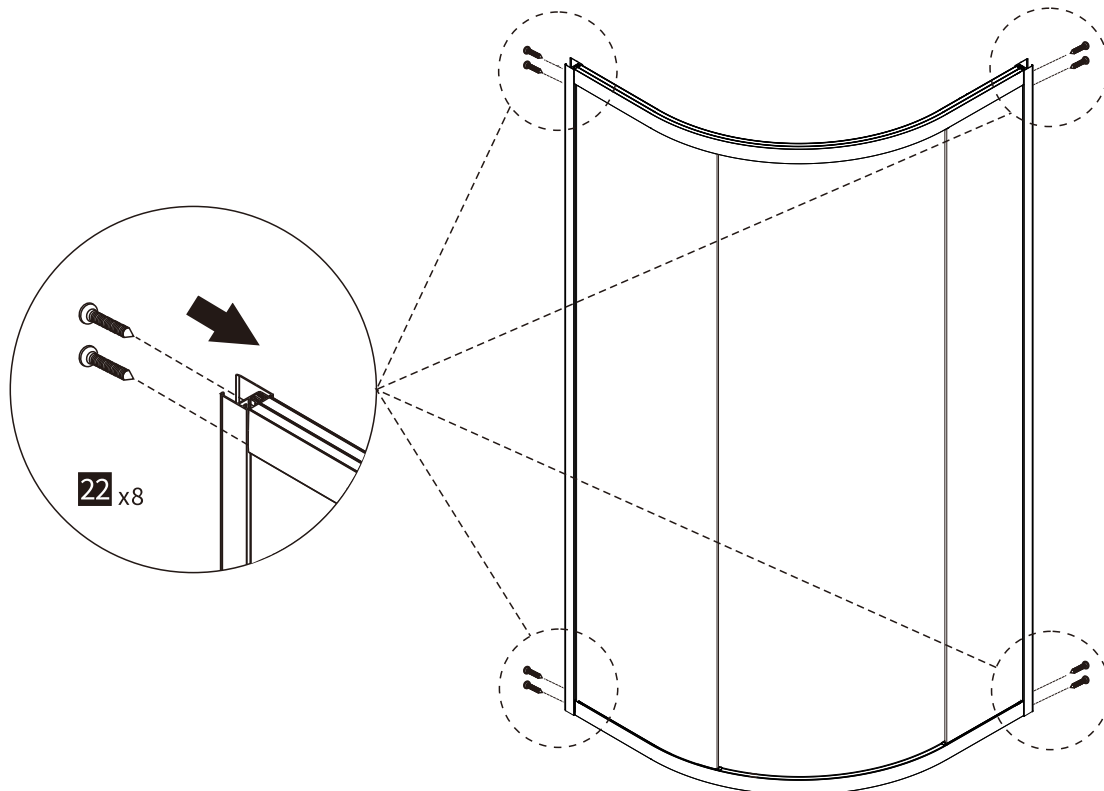


INSTALLATION

5

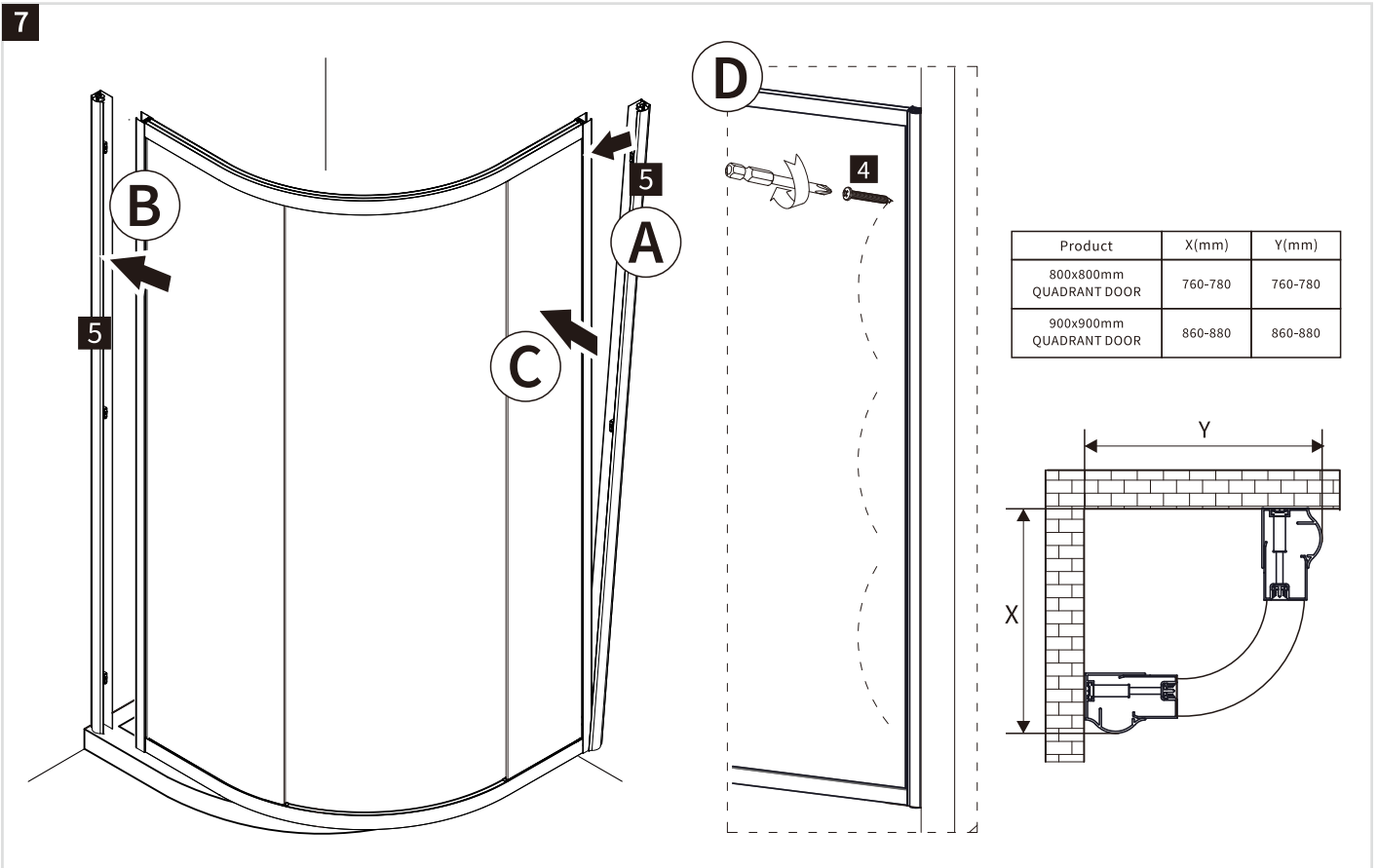


6

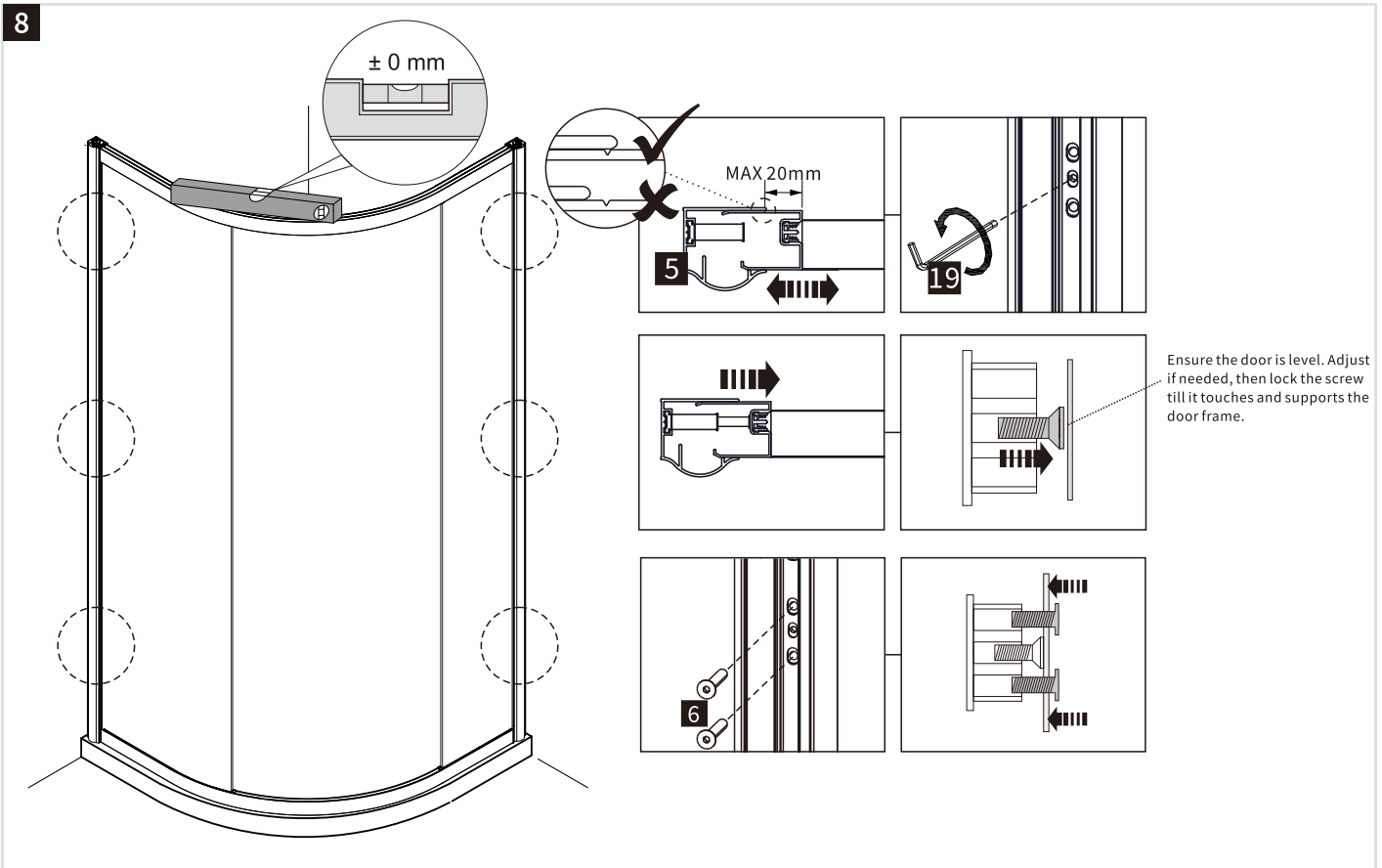


INSTALLATION

7

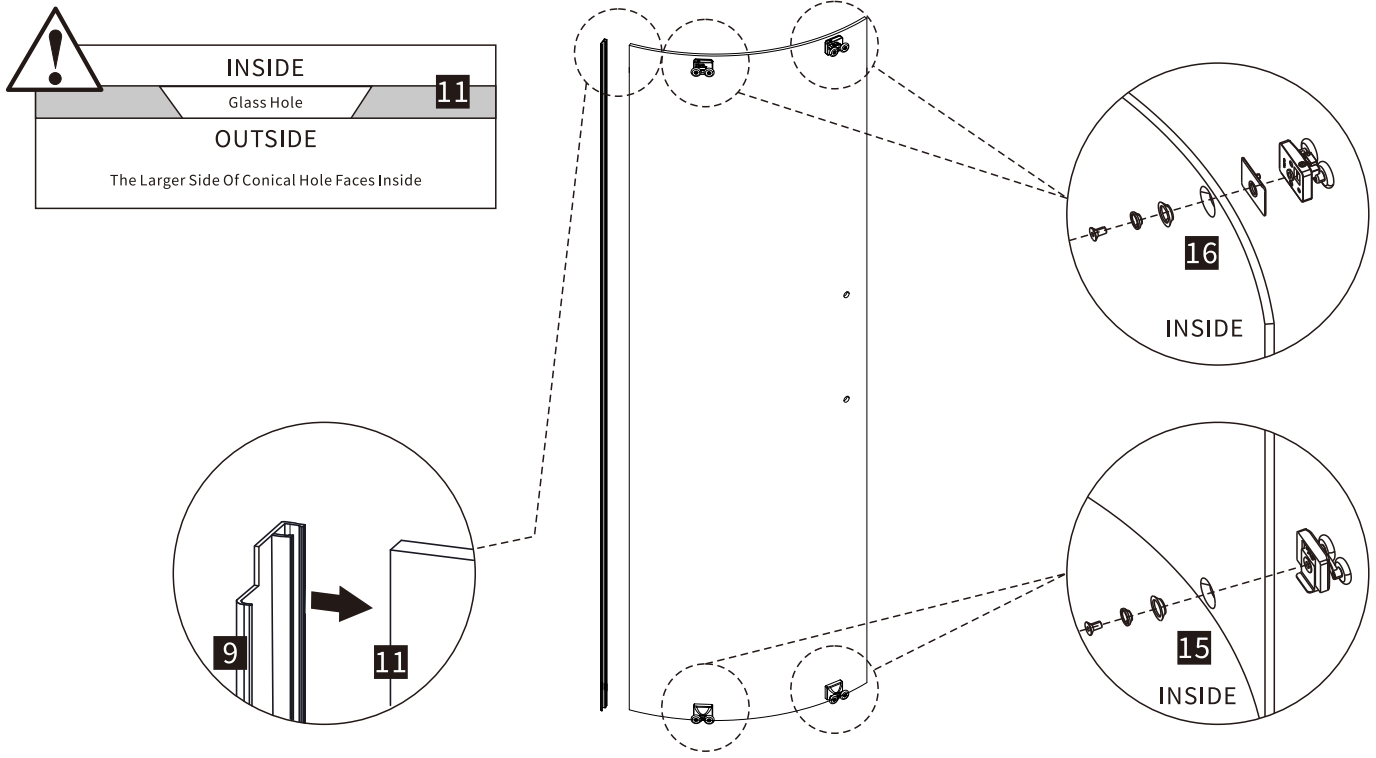


8

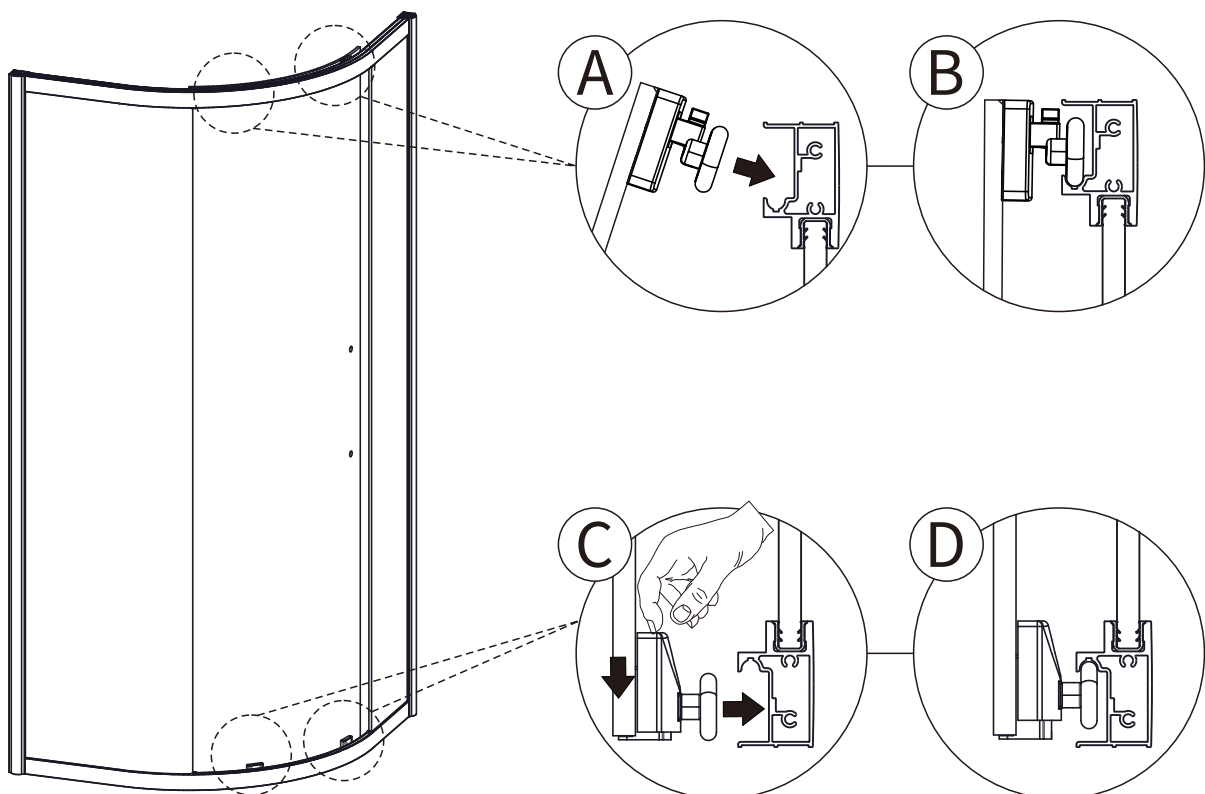


INSTALLATION

9

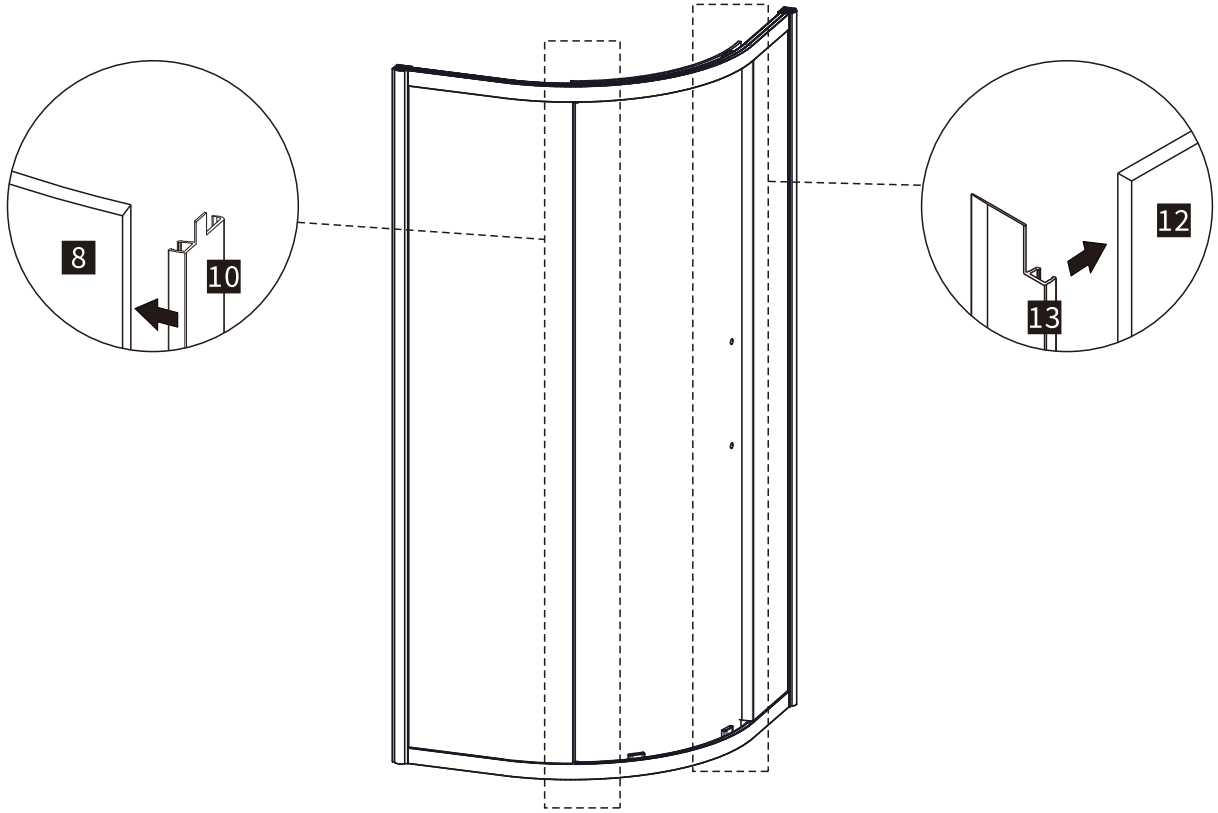


10

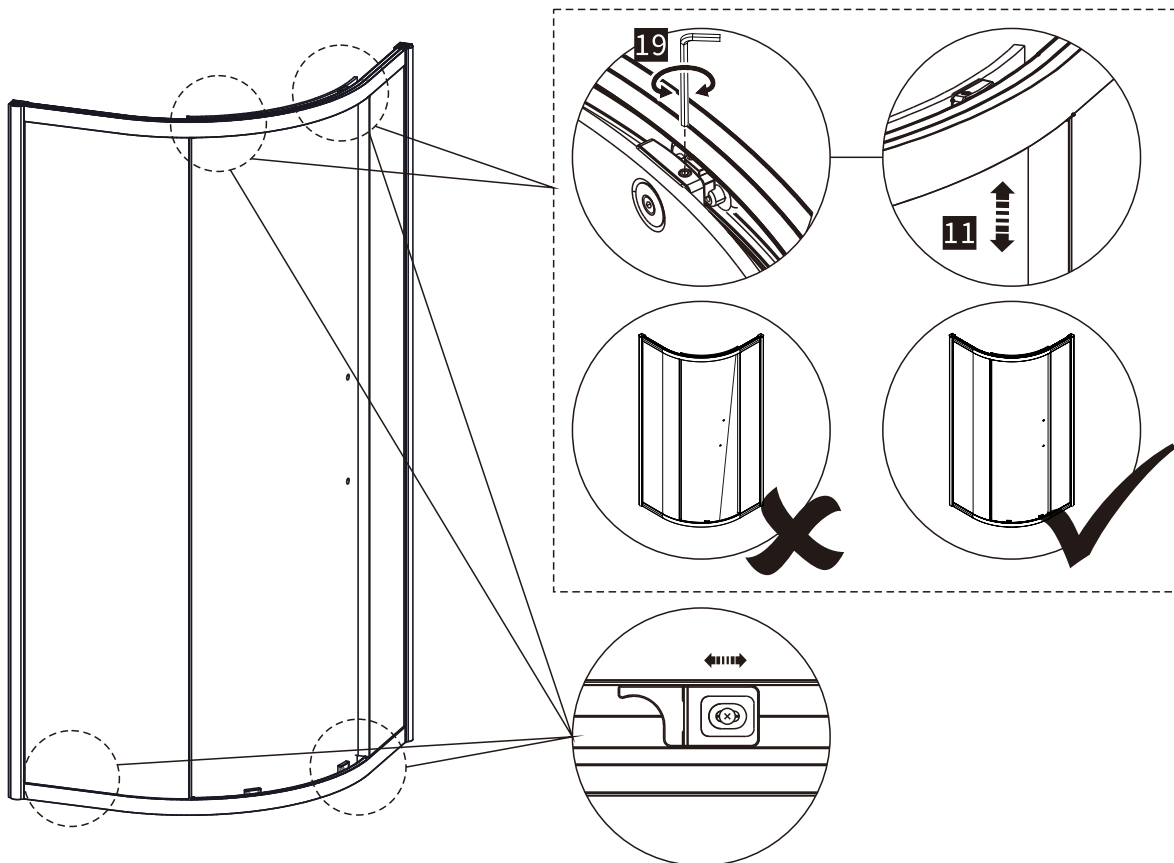


INSTALLATION

11

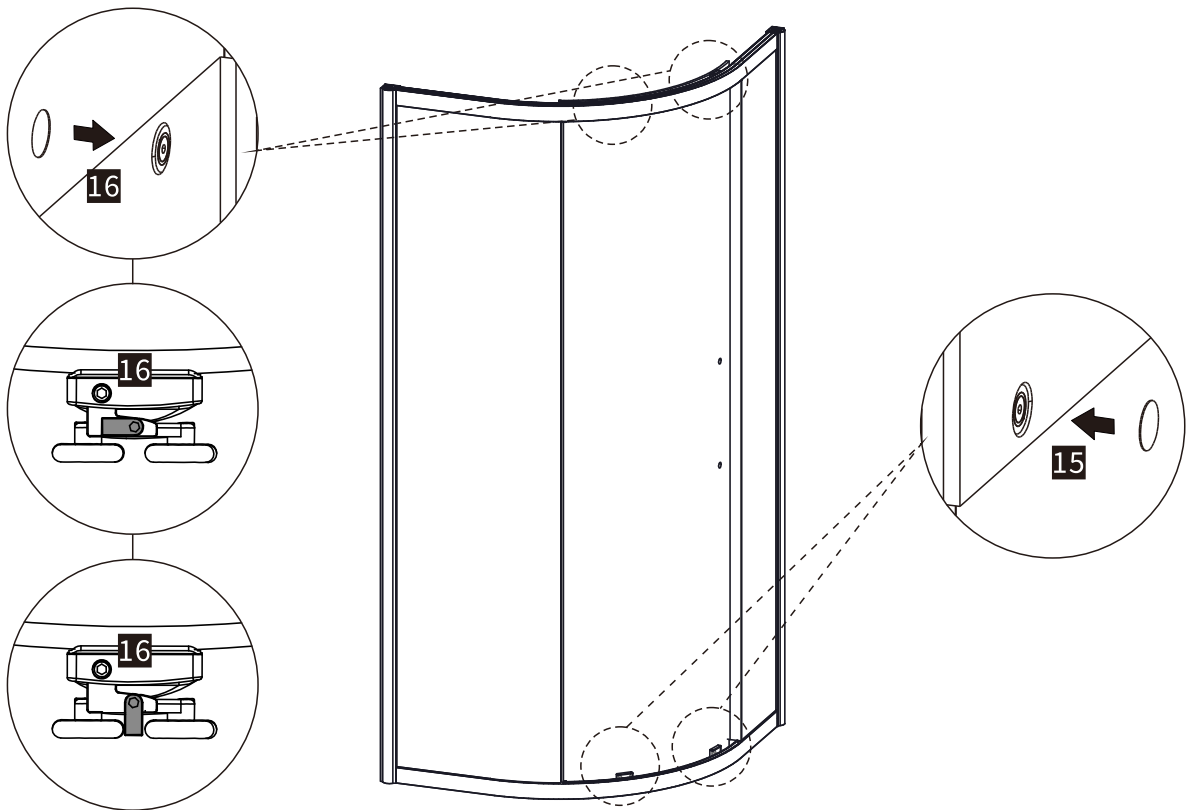


12



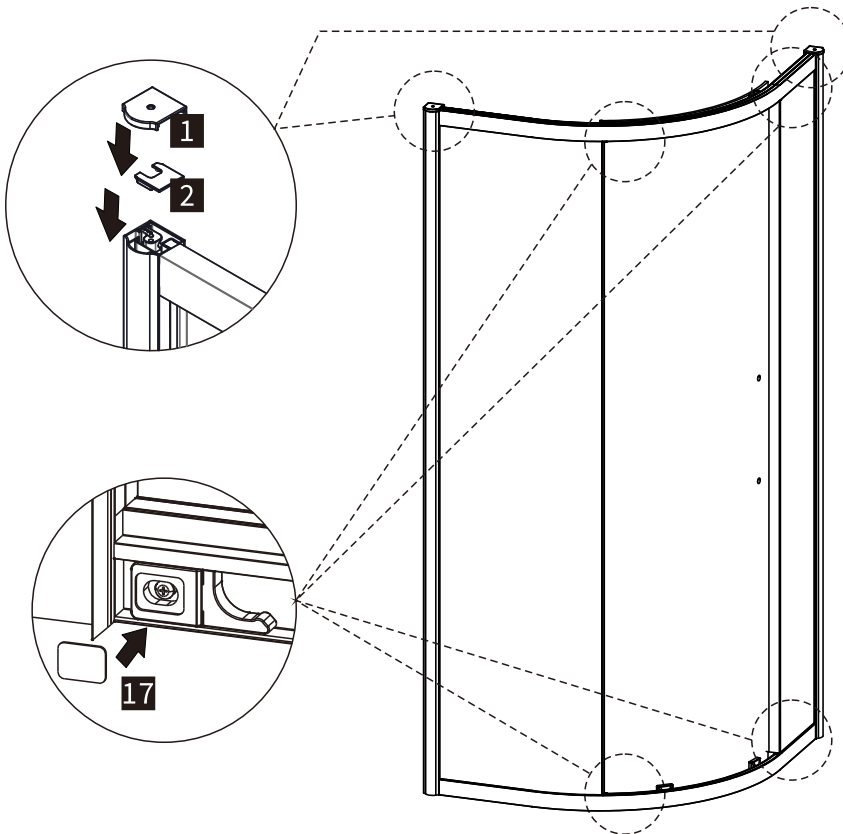
INSTALLATION

13



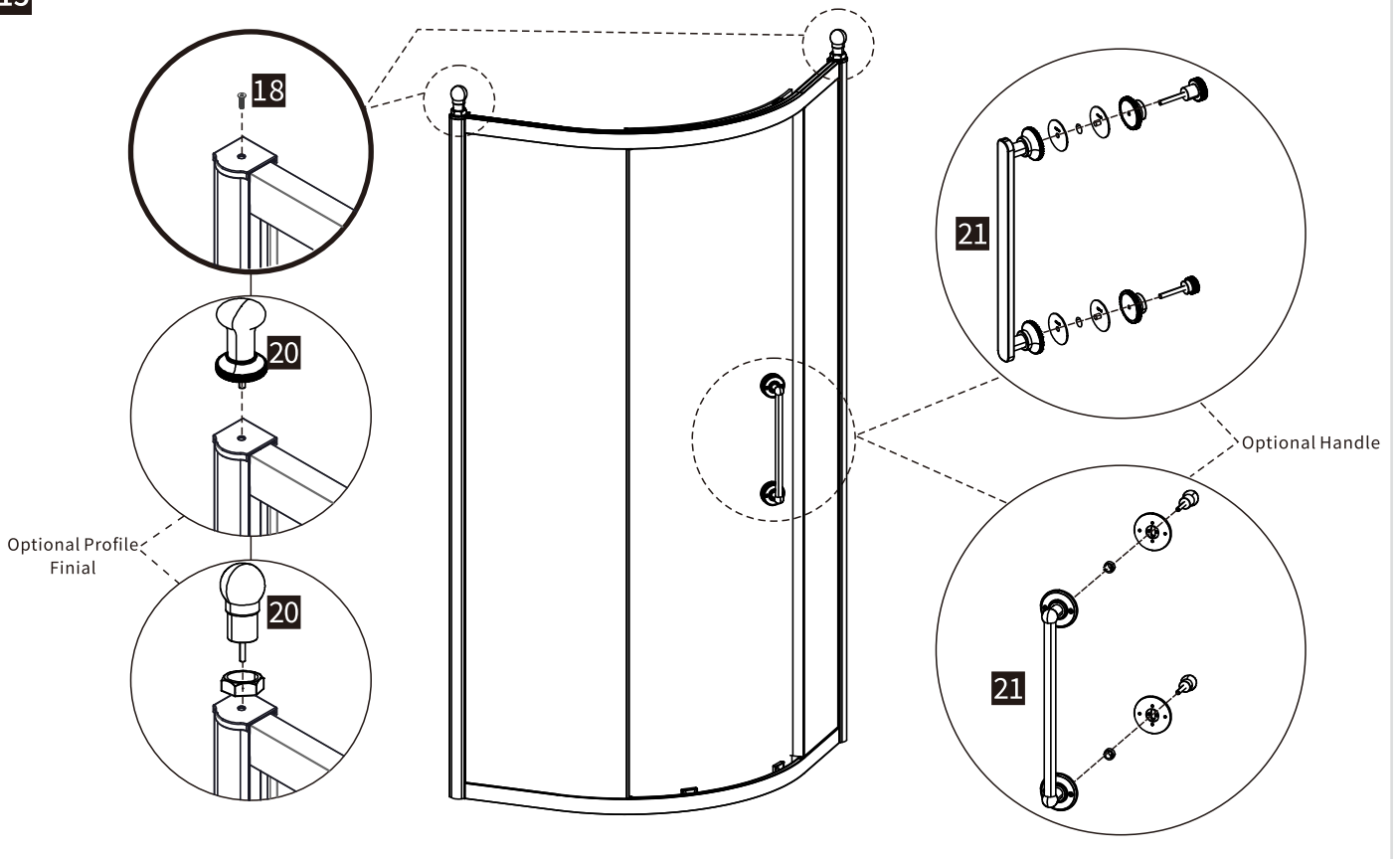
Align the anti detachment part of roller

14

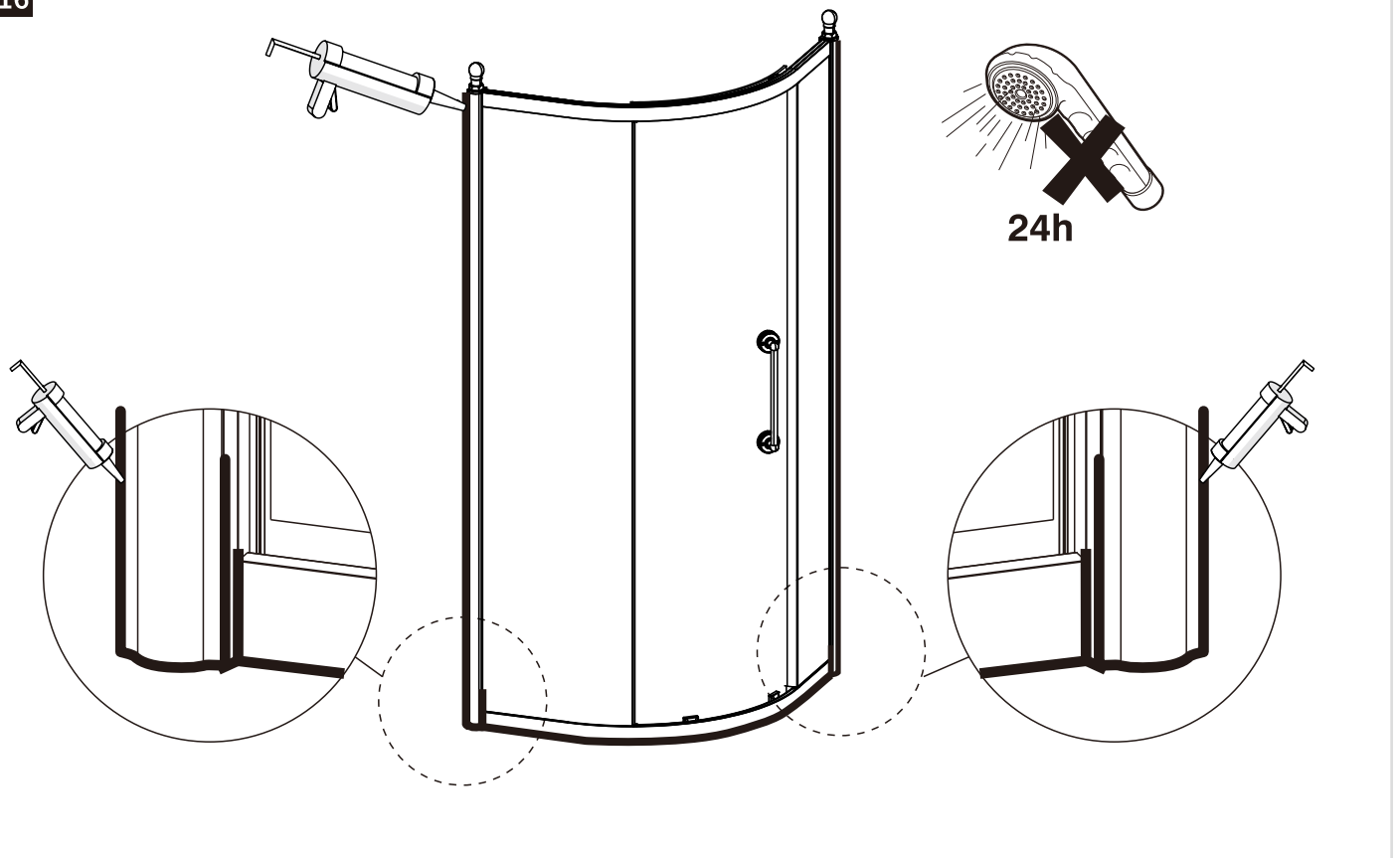


INSTALLATION

15



16



Burlington[®]

CARE & MAINTENANCE

Do not use solvents or abrasive materials or chemicals to clean shower doors.

PH < 6.8, PH > 7.2

Only use soapy water and soft cloth, rinse thoroughly afterwards.

PH = 6.8 - 7.2



Burlington[®]

Part of the
Bathroom Brands Group

We reserve the right to make technical modifications without prior notice.

Burlington[®]

Lake View House
Rennie Drive, Dartford
Kent DA1 5FU
United Kingdom
0345 873 8840
www.crosswater.co.uk