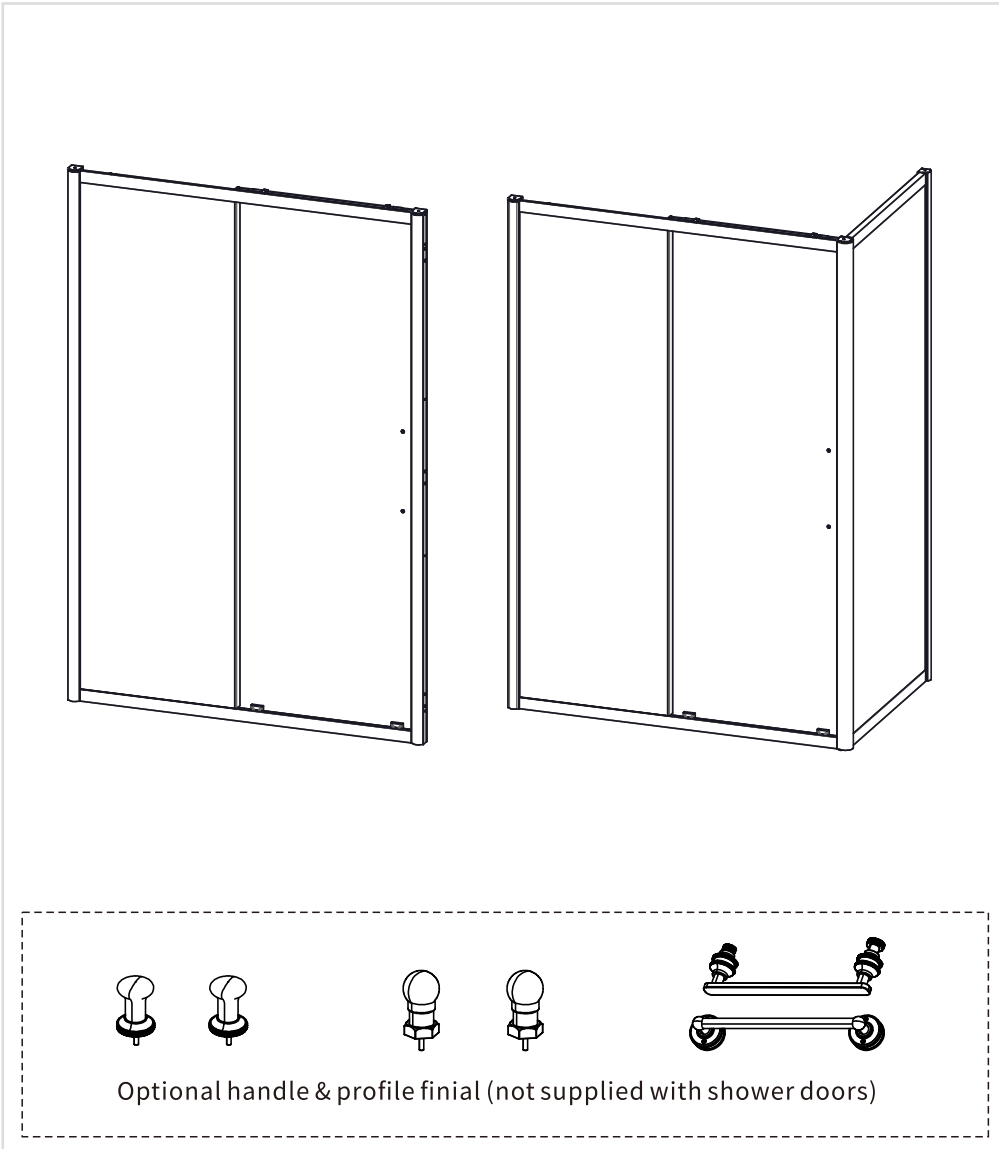


# CLASSIQUE

SLIDING DOOR & SIDE PANEL



**PRODUCT CODES:**

CQSLSC1200  
 CQSLSC1400  
 CQSLSC1700  
 CQSLGC1200  
 CQSLGC1400  
 CQSLGC1700  
 CQSLLC1200  
 CQSLLC1400  
 CQSLLC1700

CQSPSC0800  
 CQSPSC0900  
 CQSPGC0800  
 CQSPGC0900  
 CQSPLC0800  
 CQSPLC0900

CQ1909HDFNC  
 CQ1909HDFNG  
 CQ1909HDFNL  
 CQ1909PRFNC  
 CQ1909PRFNG  
 CQ1909PRFNL  
 CQ1850HDFNC  
 CQ1850HDFNG  
 CQ1850HDFNL  
 CQ1850PRFNC  
 CQ1850PRFNG  
 CQ1850PRFNL



**IMPORTANT INFORMATION**

**Please read carefully and keep this information for further reference.**

**BEFORE STARTING THE INSTALLATION ENSURE ALL THE DOOR SIZE MEASUREMENTS CORRESPOND WITH THE INSTALLATION AREA INCLUDING THE FINISHED TILED/PANELLED WALLS. RETURNS DUE TO INCORRECT SIZING WILL NOT BE ACCEPTED.**

Check the contents of the pack carefully before installation. Burlington will not be held responsible for any de-fit / re-fit costs where faulty product has been fitted. If any fault is found with materials or workmanship, it must be reported immediately to the manufacturer. Remedial action will be taken, based on information received, on condition that:

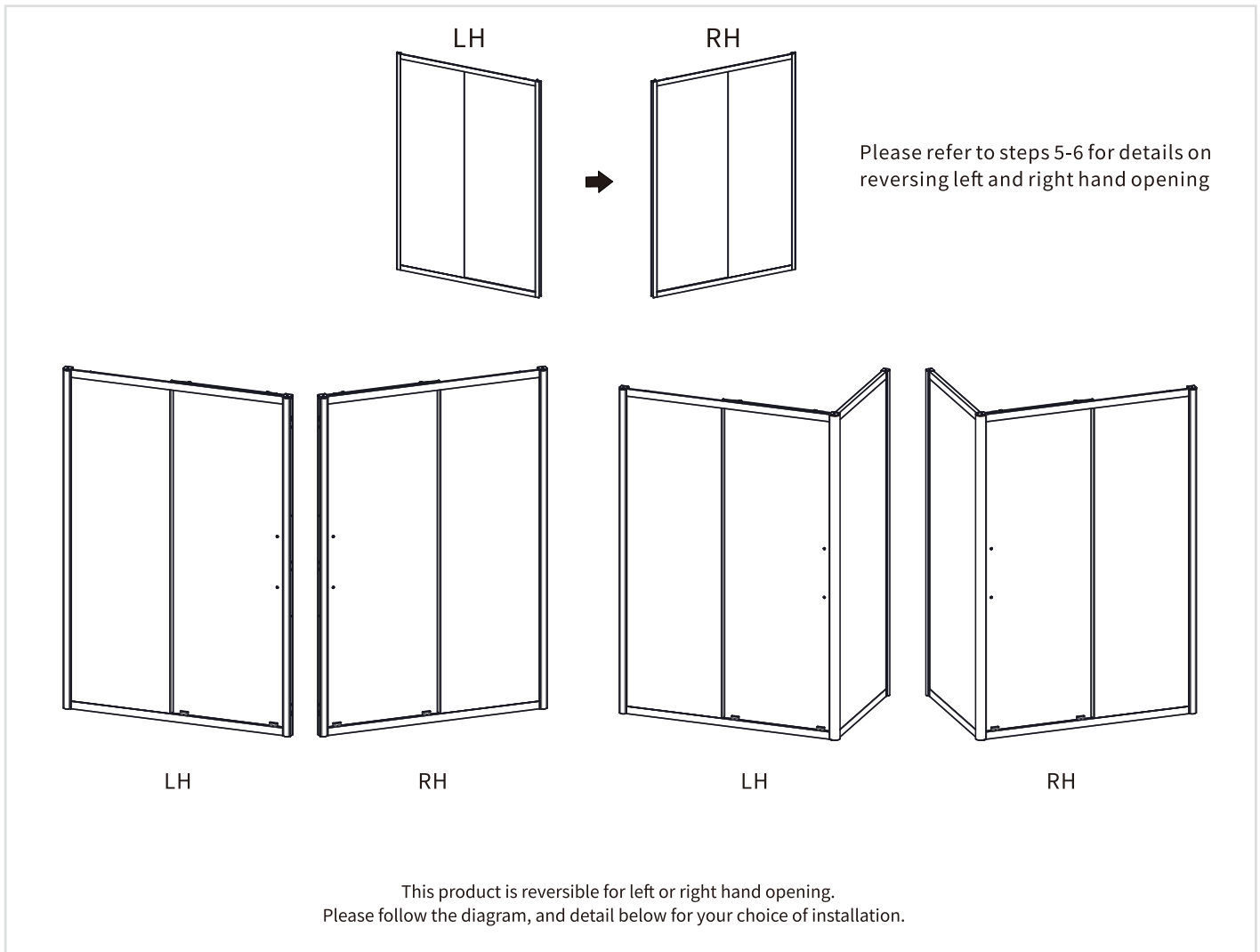
1.Full details are supplied to the manufacturer;

2.The enclosure has not been modified or tampered with;  
 3.The manufacturer is informed of any damage/shortages prior to installation.

**VERY IMPORTANT**

You must complete all tiling and grouting, and the shower tray **MUST** be level and fully sealed to the tiles before installation. If you do not fit the enclosure onto a tiled surface, or seal the tiles to the tray before installation, water may soak into the wall behind the wall profiles.

## ORIENTATION



### IMPORTANT INFORMATION

**Please read carefully and keep this information for further reference.**

The installation instructions are based on typical use and conditions. All doors are designed to open to the left or right. These hints have been prepared for your guidance, you must exercise due care at all times. For Health and Safety 2 people must carry out the installation of this shower enclosure. Handle glass with care. Although the glass supplied is toughened safety glass (EN12150), impacts can damage both the glass and the frame.

## BEFORE YOU START

### Warning!










Please check for any hidden pipes or cables before drilling holes in the wall.

When using power tools always follow the manufacturers user instructions.

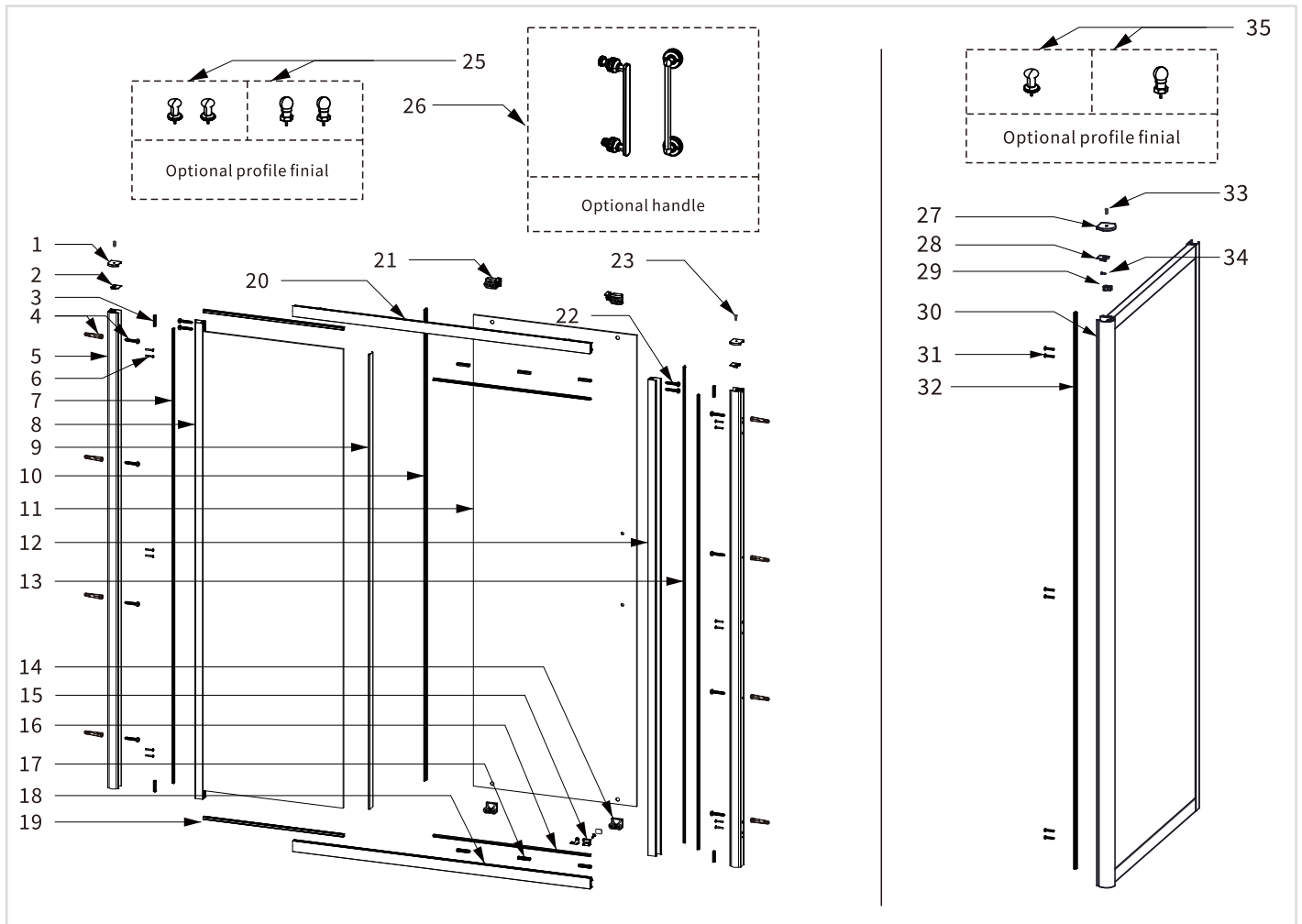
If the Framework is sealed to the tray on the inside, any water that may get into the framework will not be able to drain back into the tray, this may cause the enclosure to leak.

Leave the silicone sealant to dry for 24 hours before using the enclosure.

### Tools Required (not supplied):

Spirit Level		Torque Screw Driver	
Pencil		Snips	
Drill		6mm Drill Bit	
Silicone		Measuring Tape	
Knife			

## COMPONENTS



<b>1</b>		Wall profile cap L x1 R x1	<b>2</b>		Adjustment profile cap x2	<b>3</b>		45mm Profile Cover x4	<b>27</b>		Wall profile cap L x1 R x1
<b>4</b>		Wall Plug and 4x30mm Screw x8	<b>5</b>		Wall profile L x1 R x1	<b>6</b>		M5*30 Screw x12	<b>28</b>		Adjustment profile cap x1
<b>7</b>		1910mm Profile Cover x2	<b>8</b>		Fixed Panel x1	<b>9</b>		Fixed Panel Seal x1	<b>29</b>		Fixing part of profile cap x1
<b>10</b>		Moving Panel Seal A x1	<b>11</b>		Moving Panel x1	<b>12</b>		Adjustment Profile x1	<b>30</b>		Side panel x1
<b>13</b>		Moving Panel Seal B x1	<b>14</b>		Bottom Roller x2	<b>15</b>		Buffer ST4x12mm Screw x1	<b>31</b>		M5*30 Screw x6
<b>16</b>		575-675mm Profile Cover x2	<b>17</b>		Moving Door bottom Seal x6	<b>18</b>		Bottom Rail x1	<b>32</b>		Profile Cover x1
<b>19</b>		Fixed Panel bottom Seal x2	<b>20</b>		Top Rail x1	<b>21</b>		Top Roller L x1 R x1	<b>33</b>		M5*14 Screw x1
<b>22</b>		ST4*30 Screw x8	<b>23</b>		M5*14 Screw x2	<b>24</b>		Ball Head Allen Key 2.5mm x1 3mm x1 4mm x1	<b>34</b>		ST4*16 Screw x1
<b>25</b>		Optional profile finial x2	<b>26</b>		Optional handle x1	<b>35</b>		Optional profile finial x1			

## INSTALLATION

**1**

**INSIDE**

**OUTSIDE**

**TOP**

Product	X(mm)
1200mm Sliding Door	1150-1190
1400mm Sliding Door	1350-1390
1700mm Sliding Door	1650-1690

**2**

∅ 6x4

x4

x4

**4**

∅ 6x4

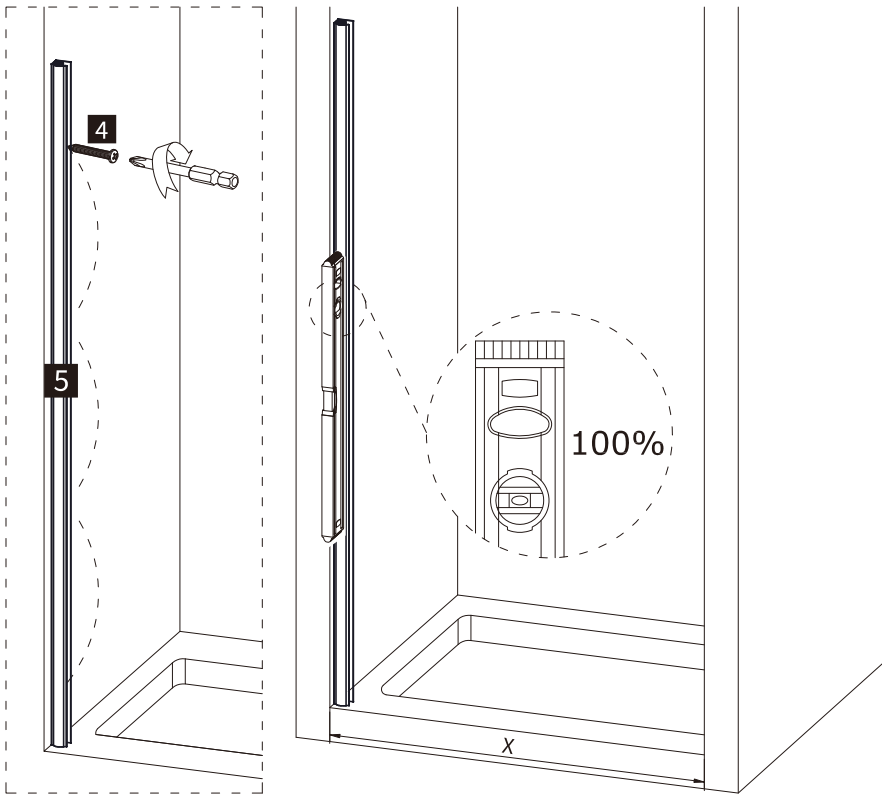
x4

x4

**4**

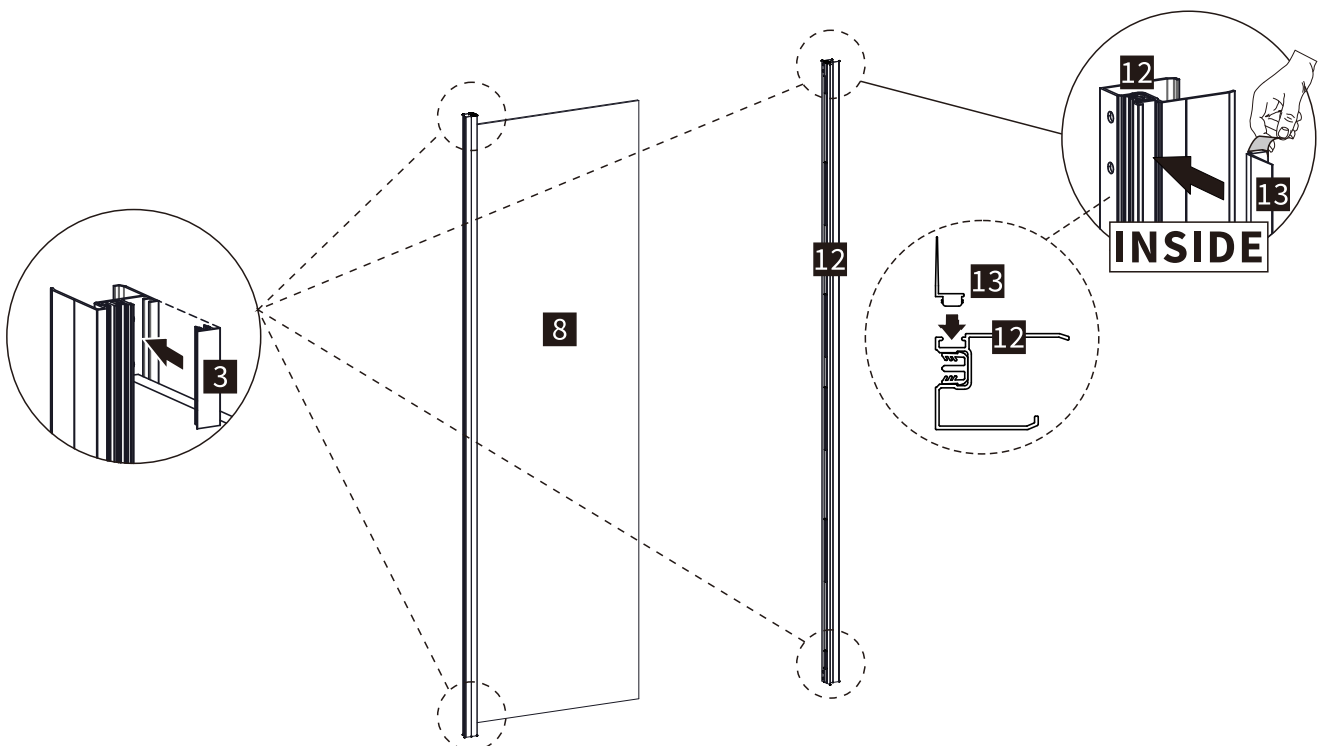
## INSTALLATION

3



Product	X(mm)
1200mm Sliding Door	1150-1190
1400mm Sliding Door	1350-1390
1700mm Sliding Door	1650-1690

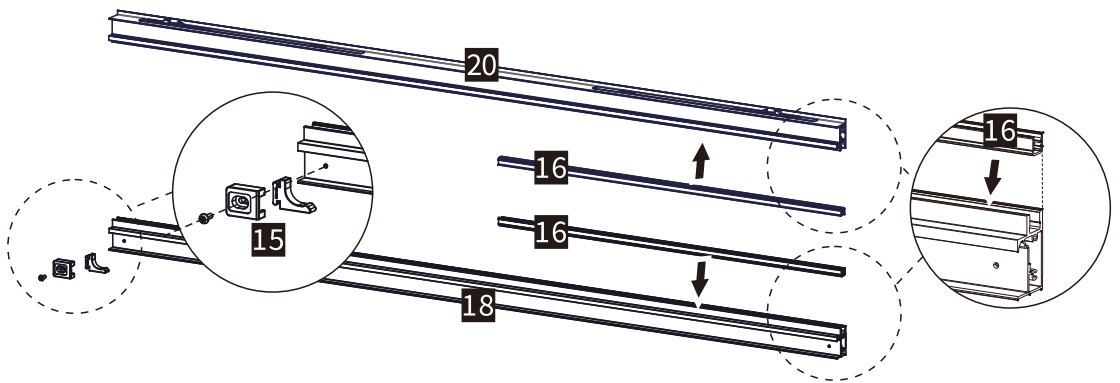
4



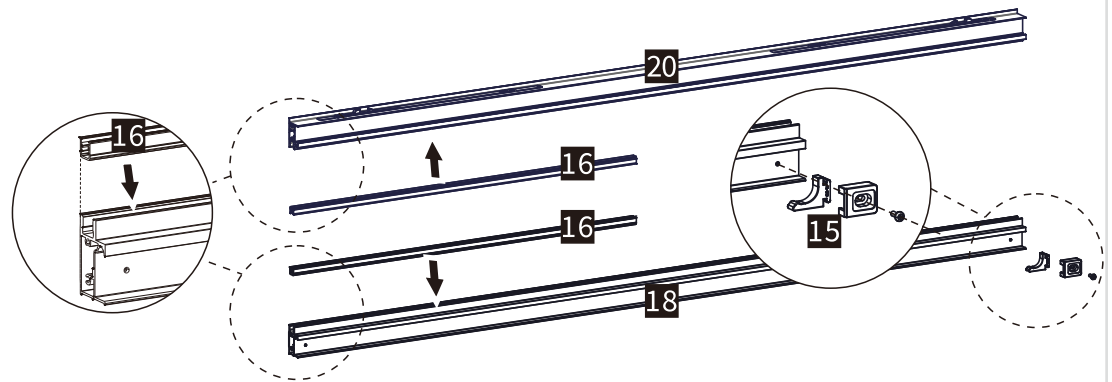
INSTALLATION

5

**LH**  
**INSIDE**

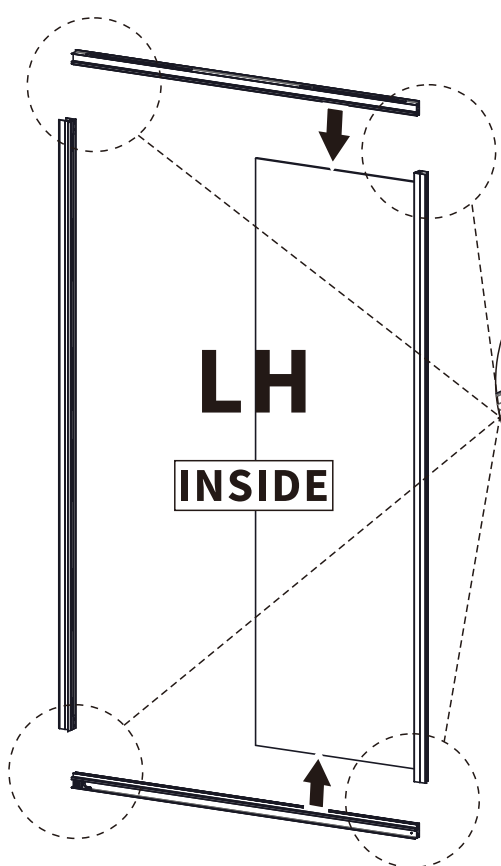


**RH**  
**INSIDE**

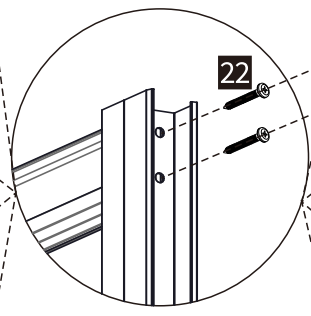
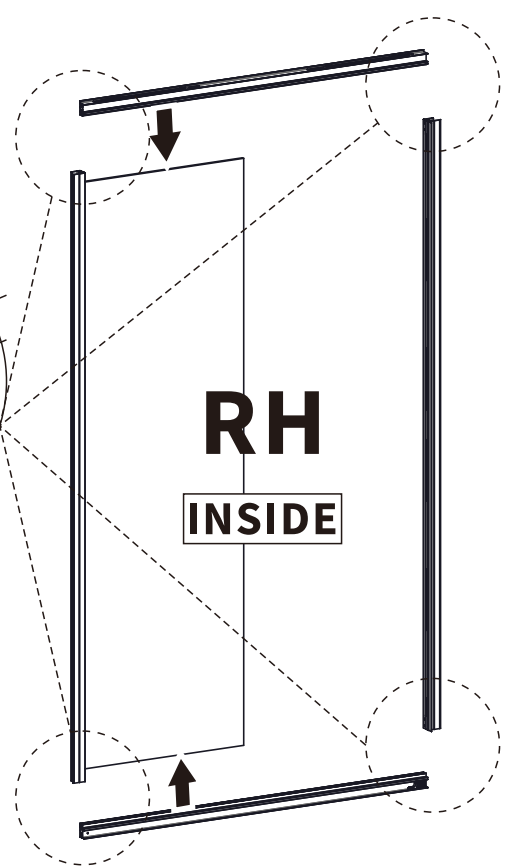


6

**LH**  
**INSIDE**

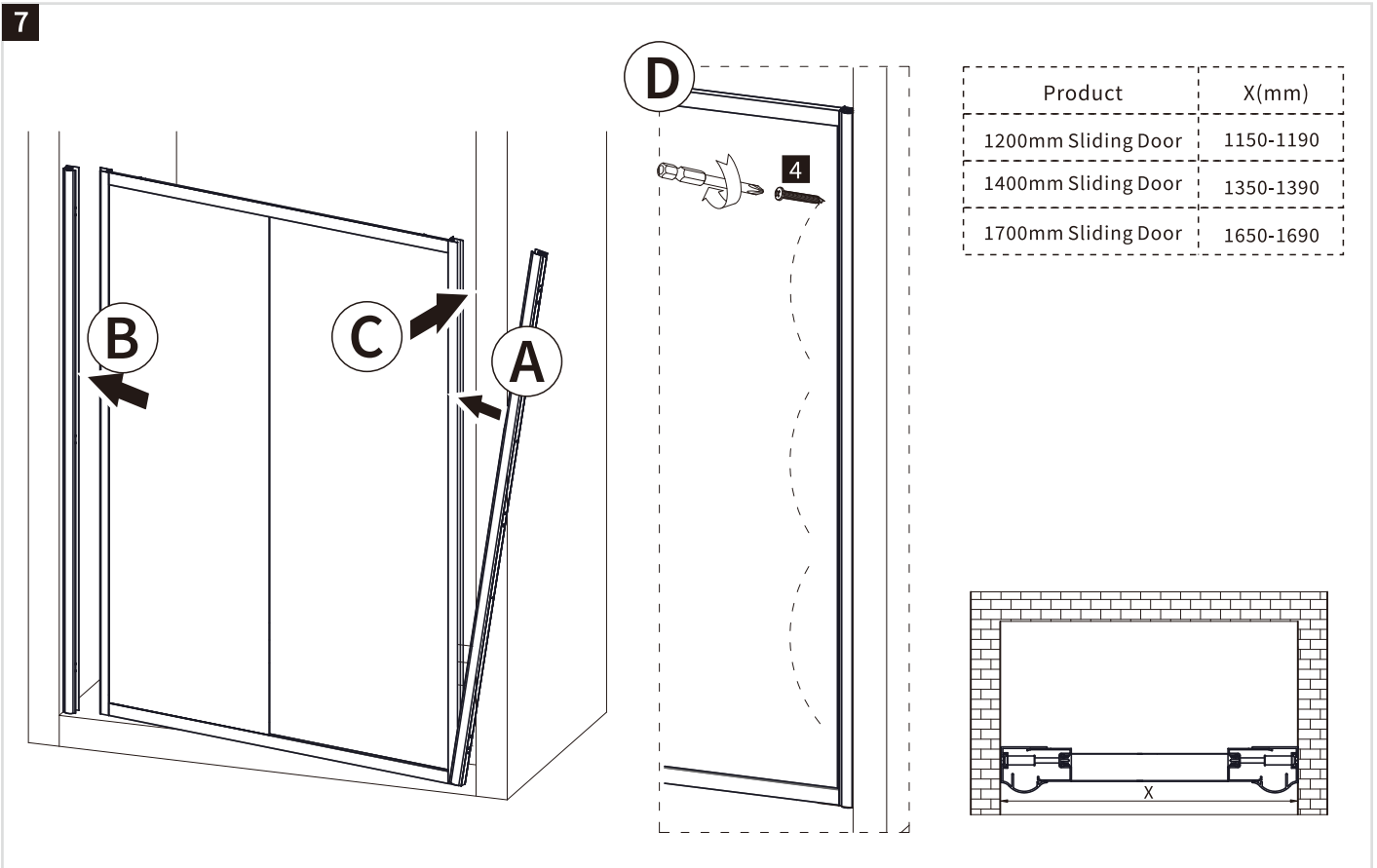


**RH**  
**INSIDE**

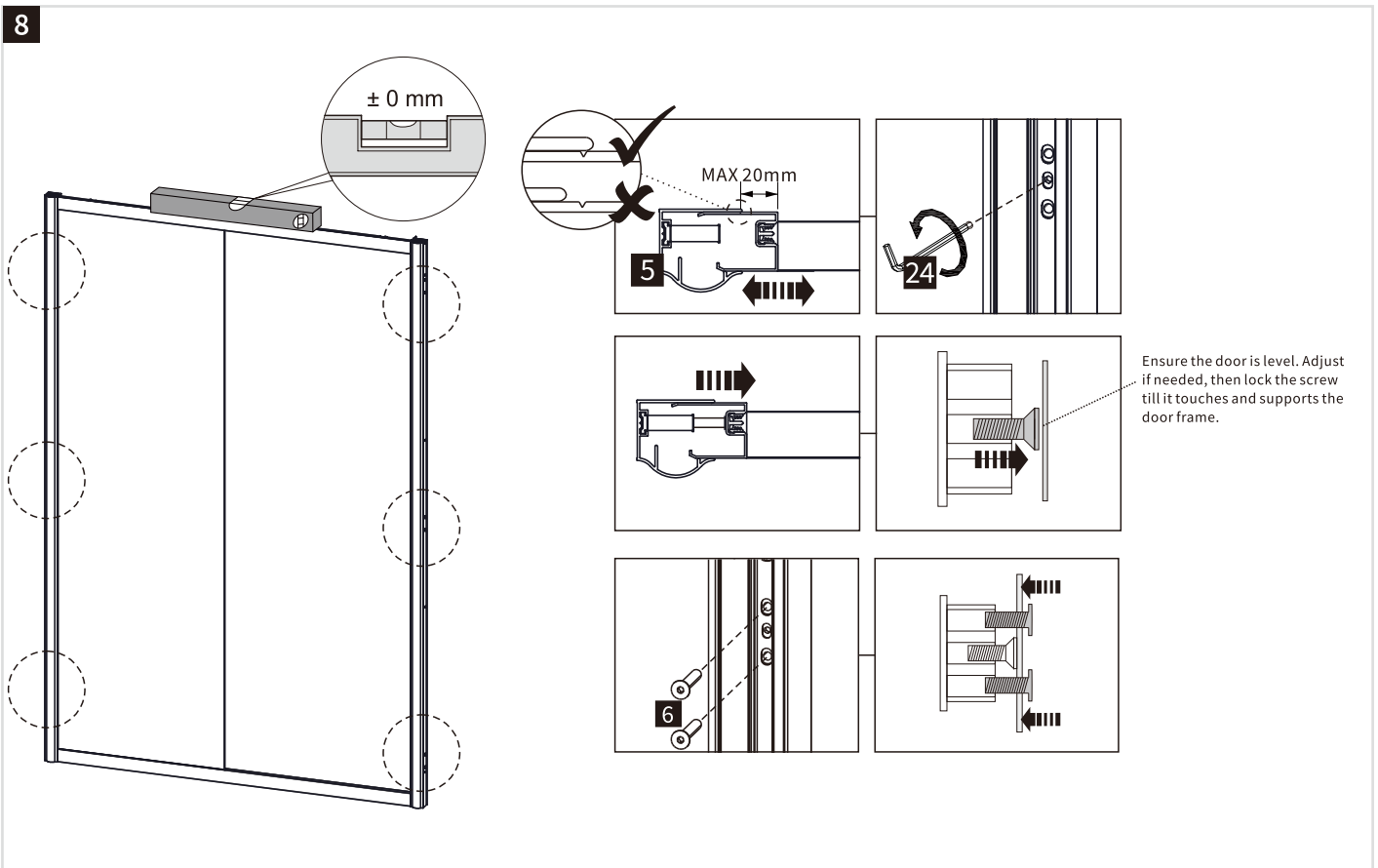


## INSTALLATION

7

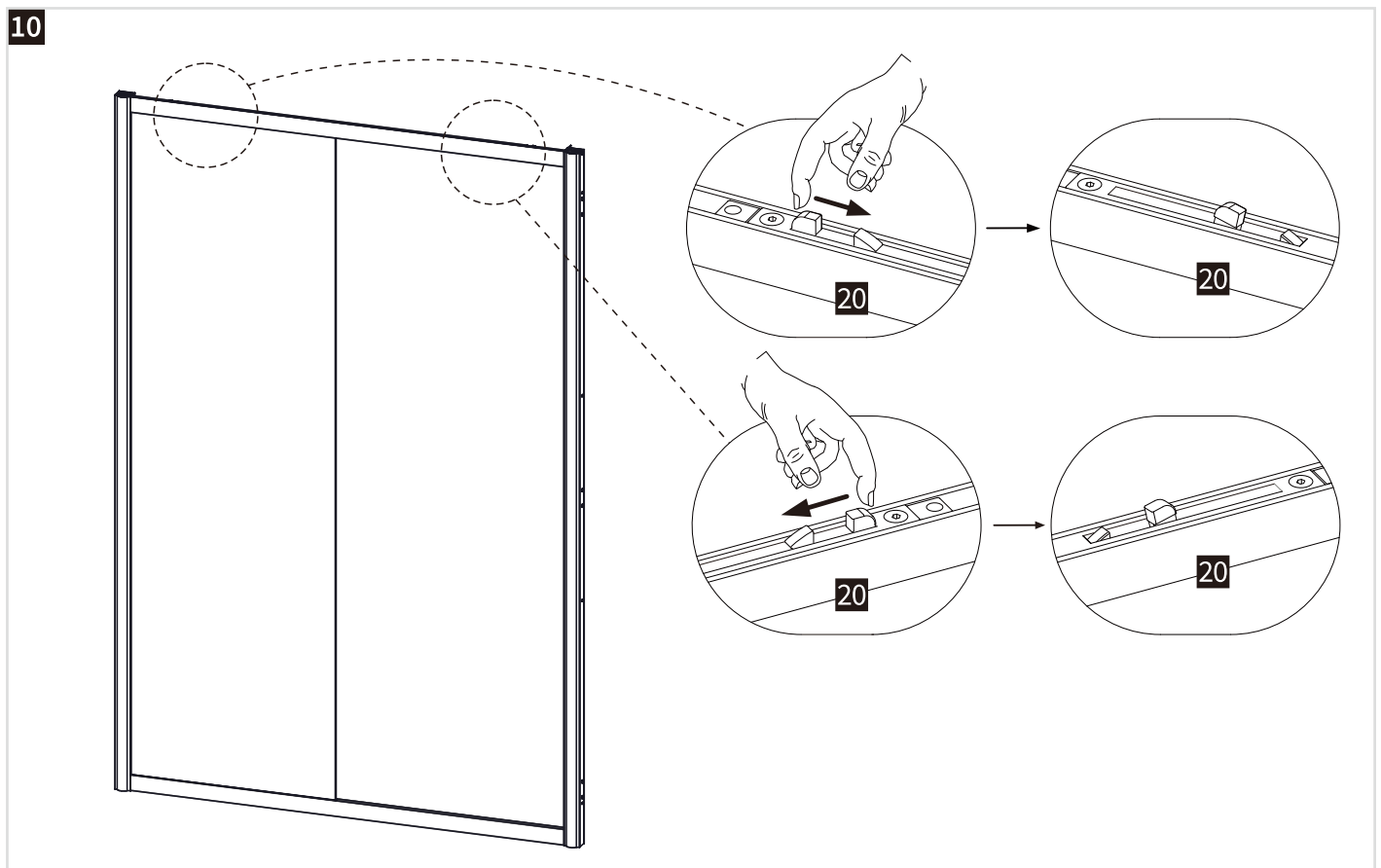
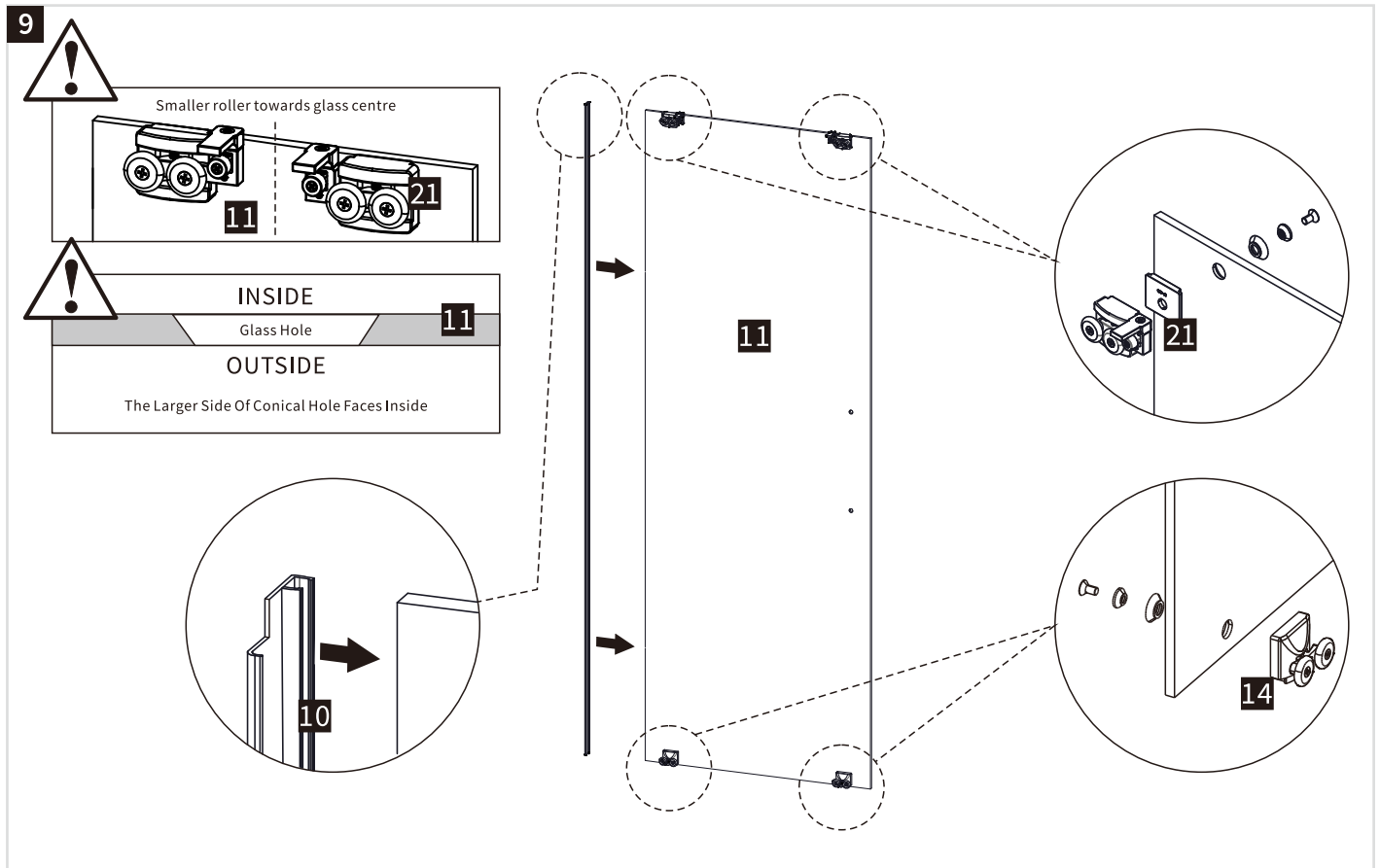


8





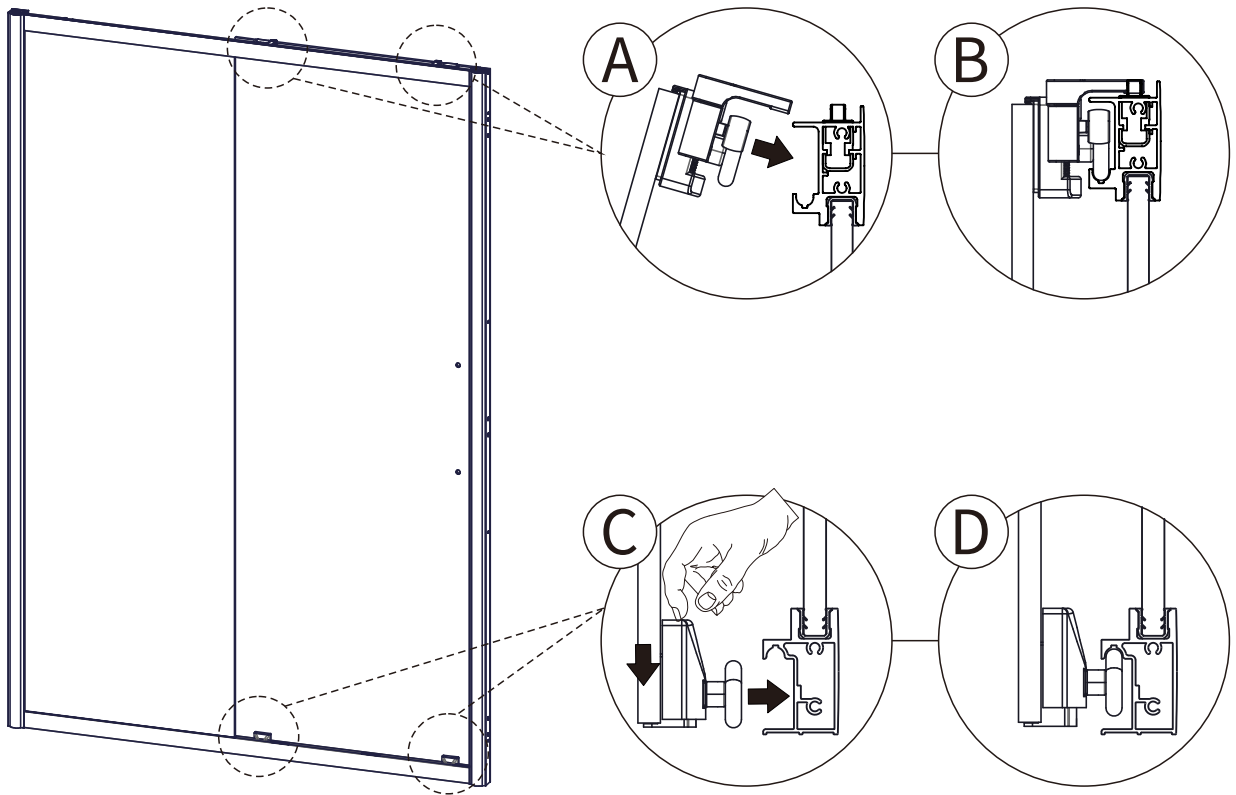
## INSTALLATION



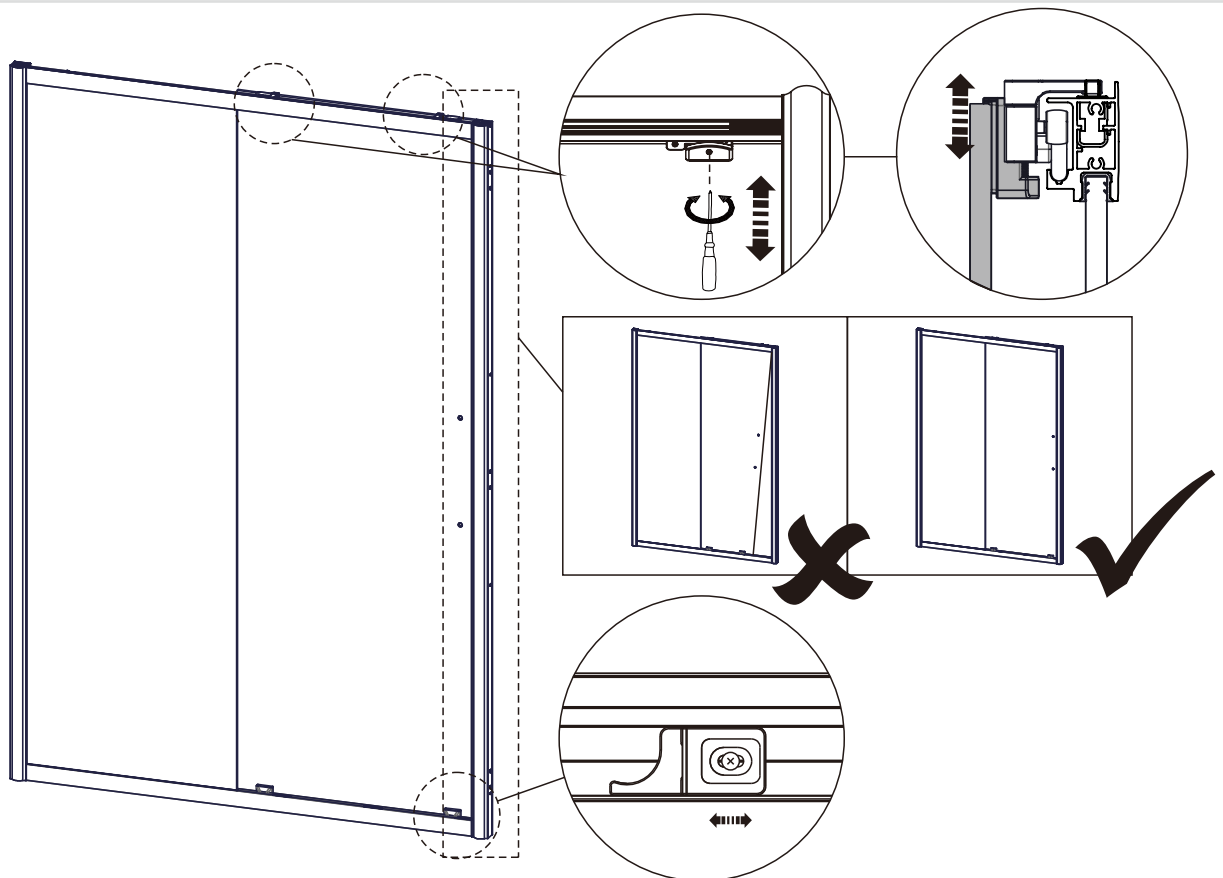
INSTALLATION

Burlington®

11

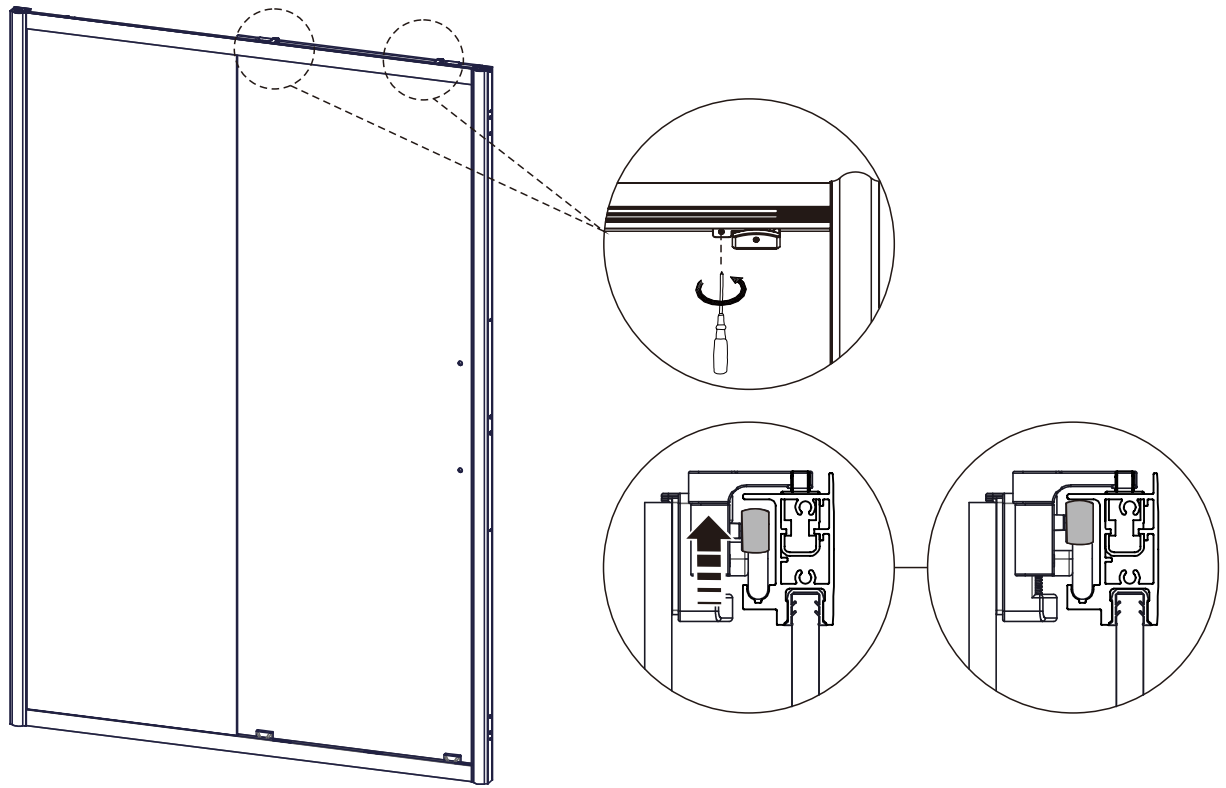


12

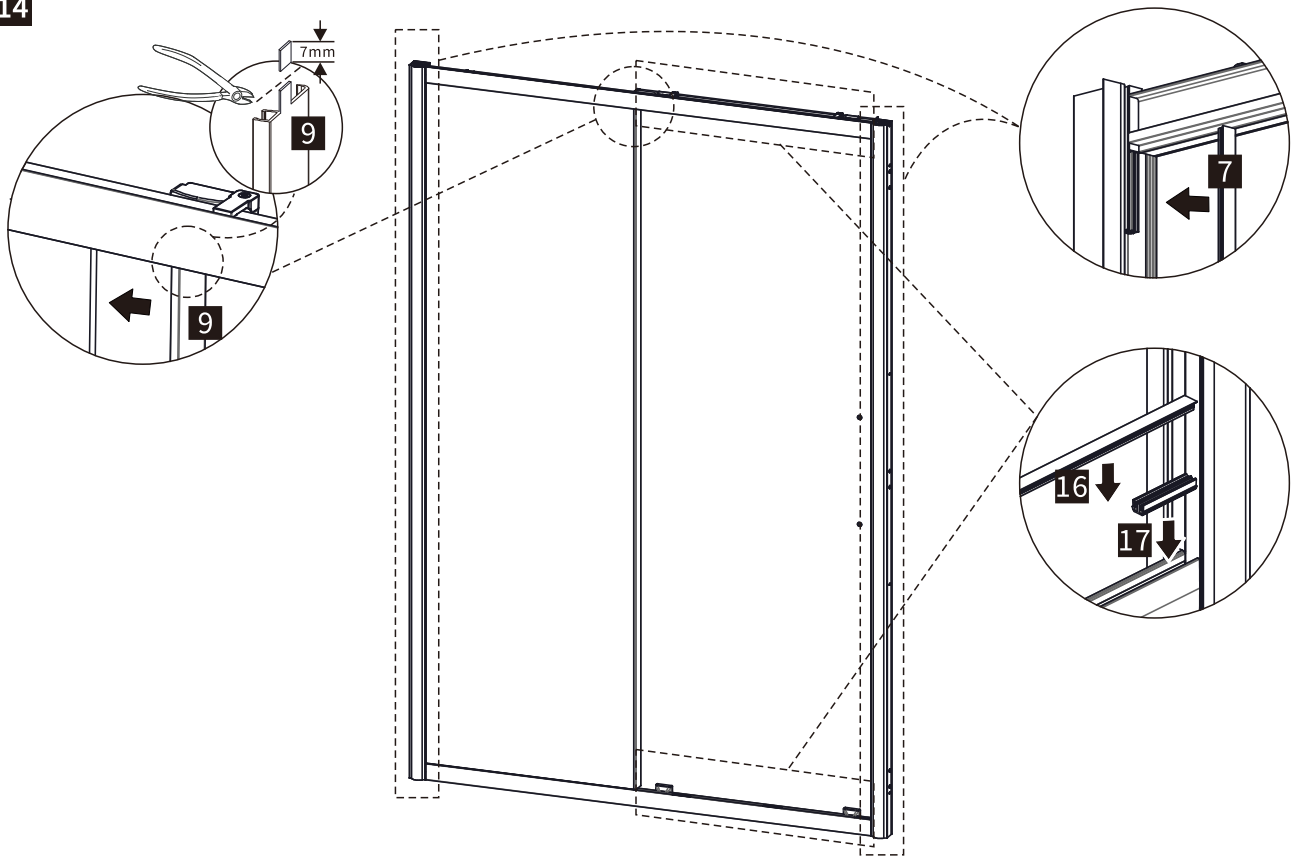


INSTALLATION

13

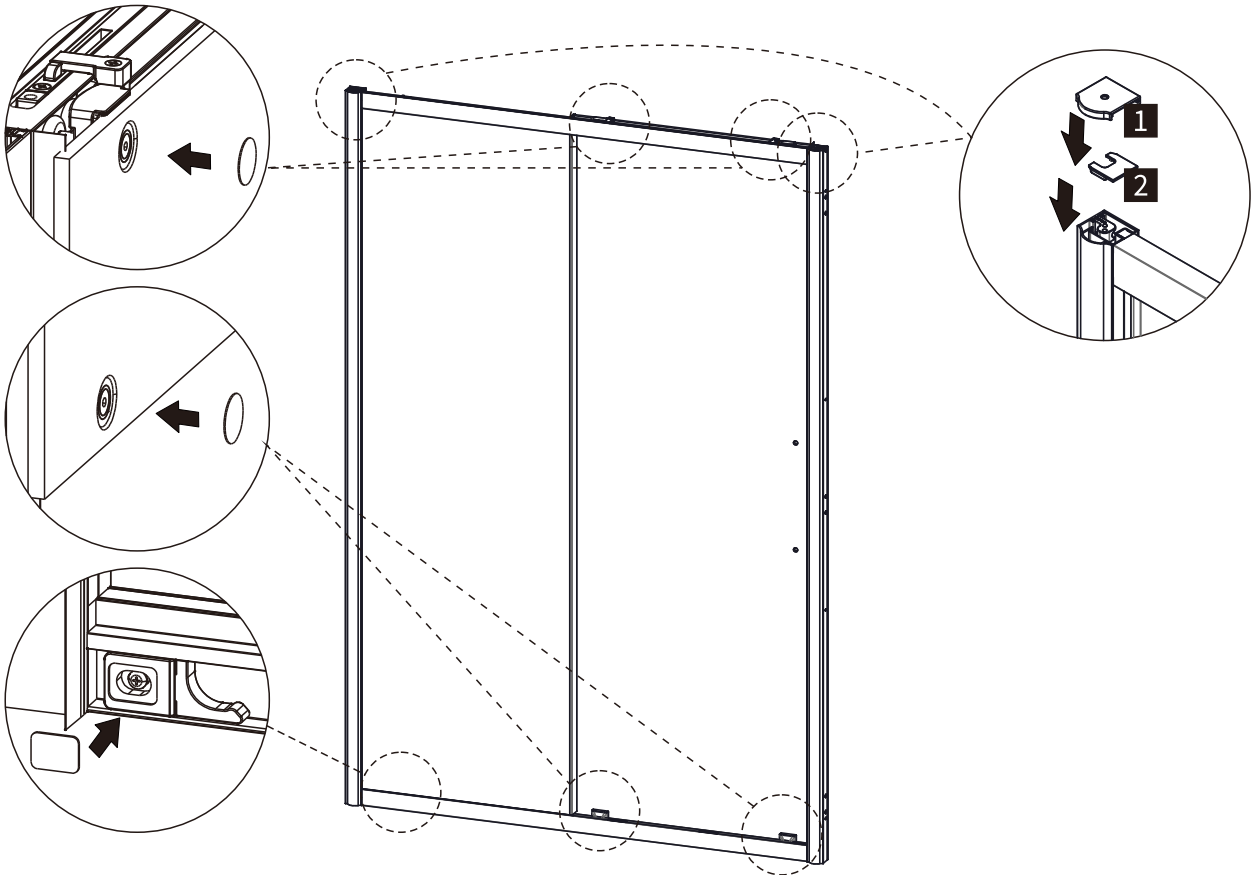


14

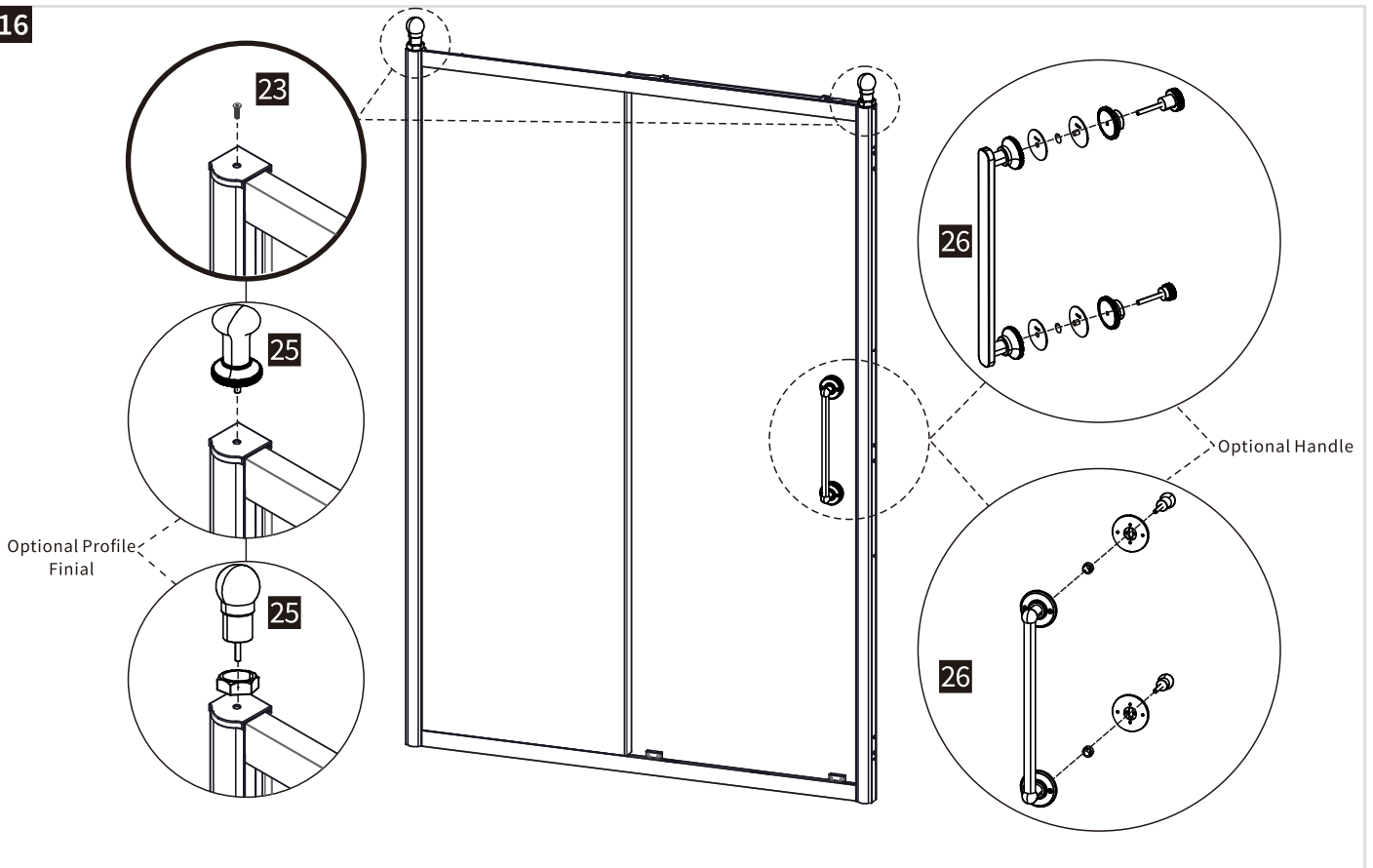


INSTALLATION

15



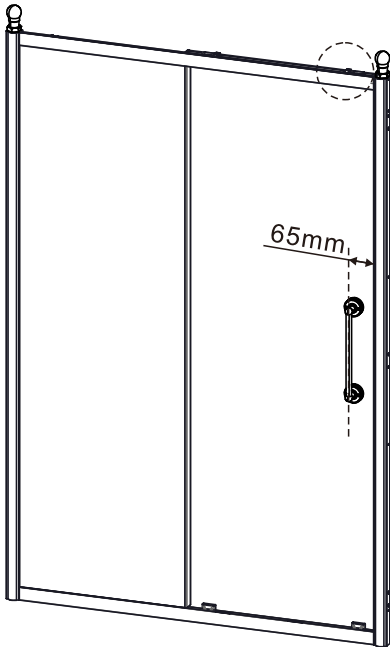
16



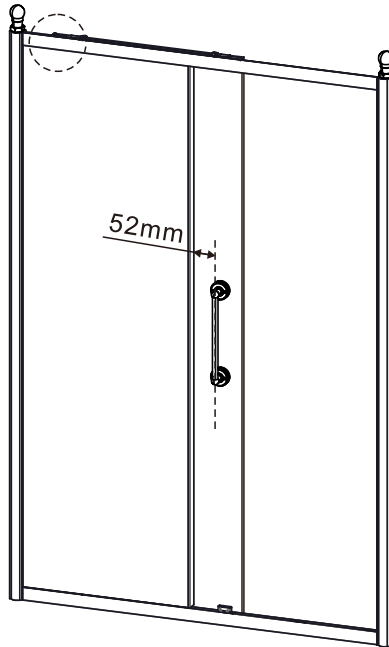
## INSTALLATION

17

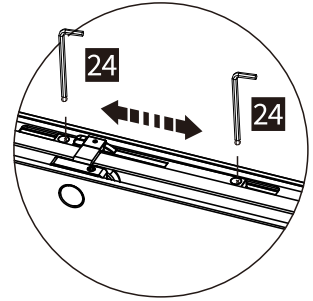
Adjust the buffer position to ensure the distance from handle to the edge



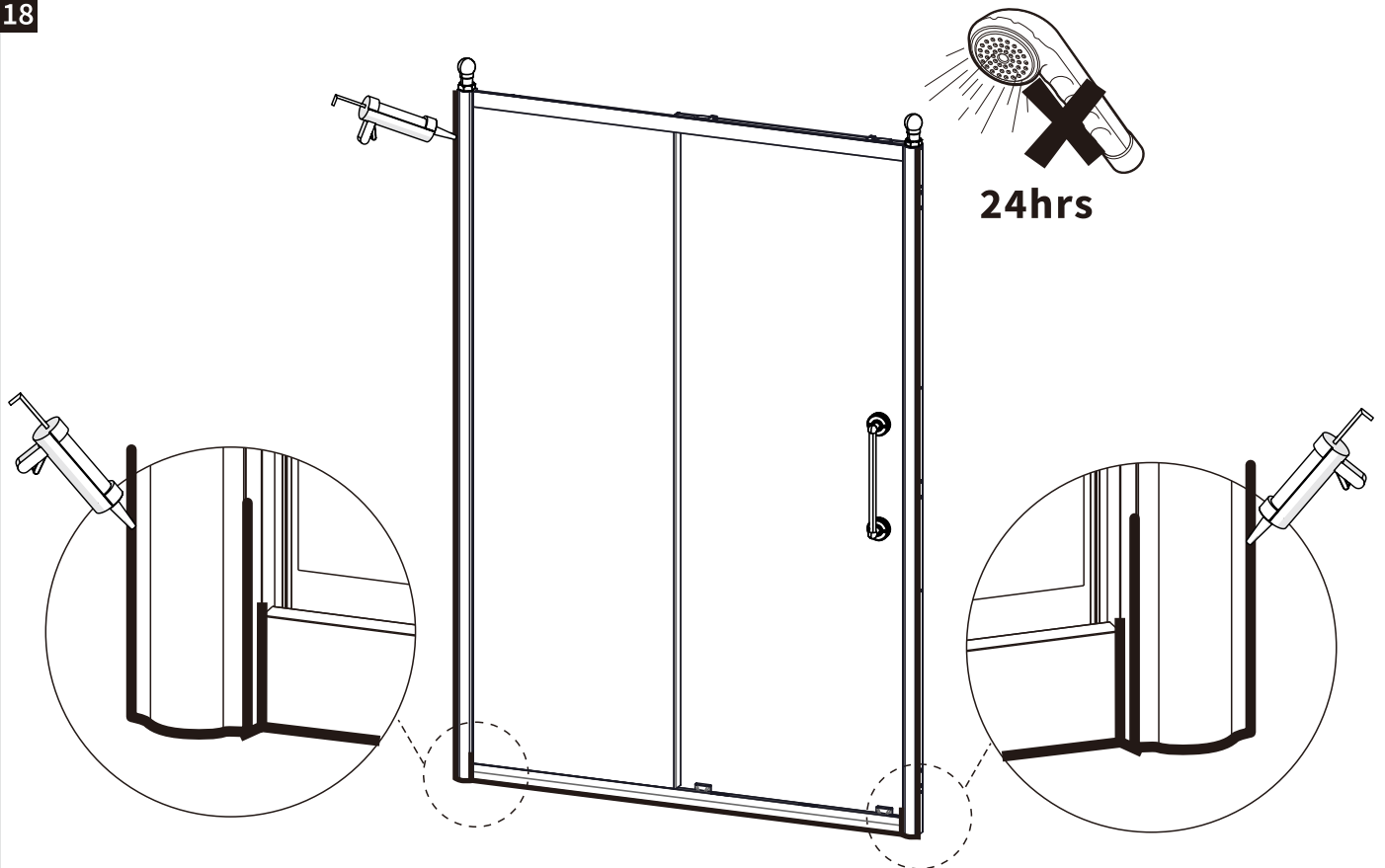
Measure distance between centre of handle mounting hole and profile edge is 65mm



Measure distance between centre of handle mounting hole and fixed panel edge is 52mm

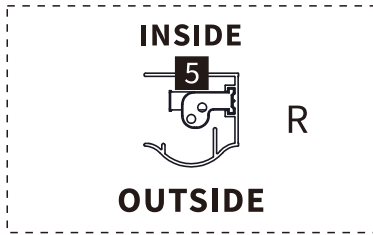
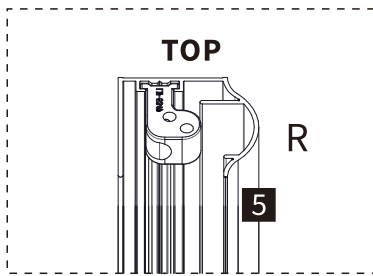


18



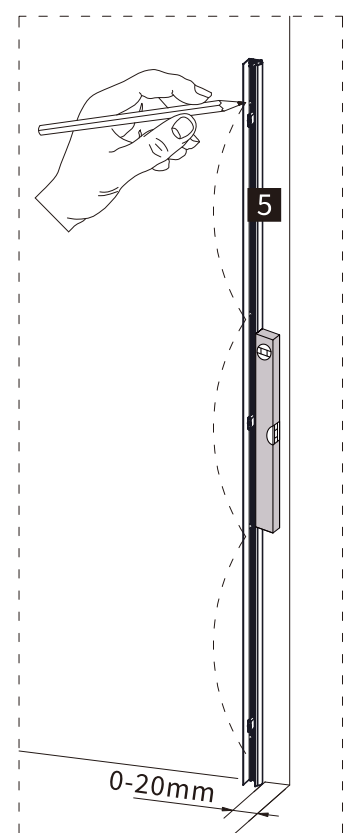
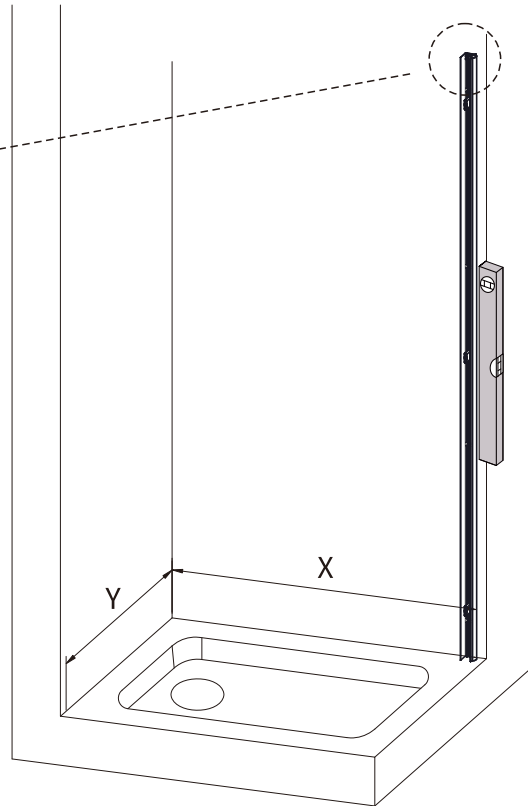
## INSTALLATION

18

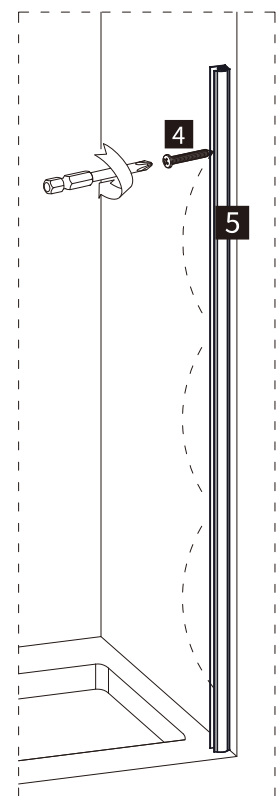
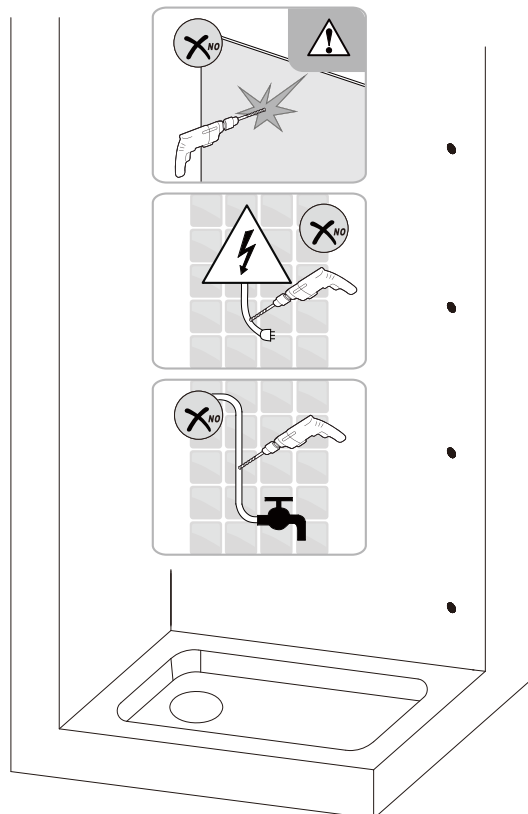
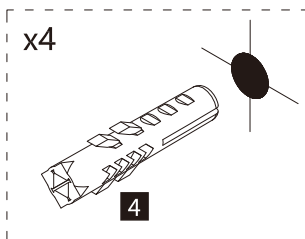
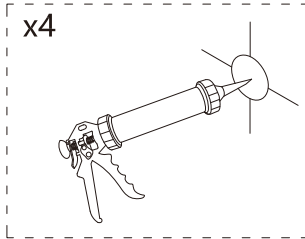
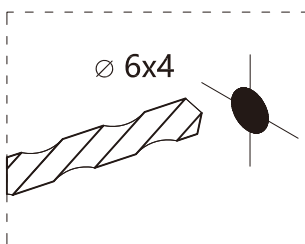


Product	X(mm)
1200mm Sliding Door	1150-1190
1400mm Sliding Door	1350-1390
1700mm Sliding Door	1650-1690

Product	Y(mm)
800mm Side Panel	770-790
900mm Side Panel	870-890

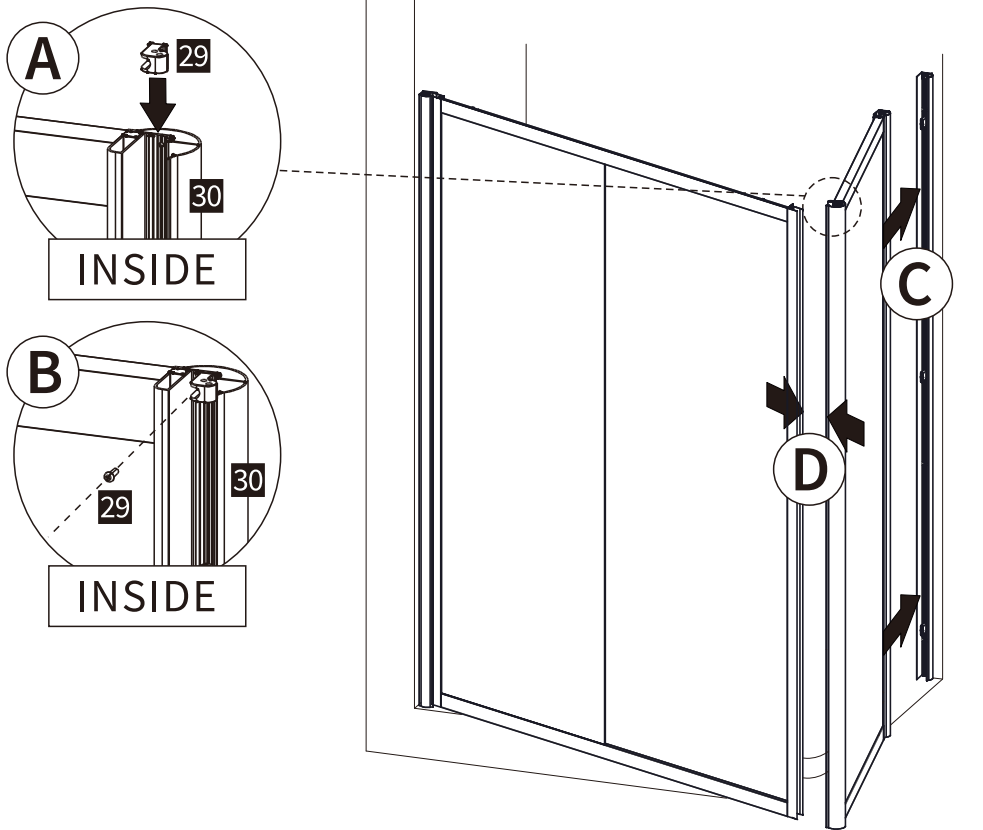


19

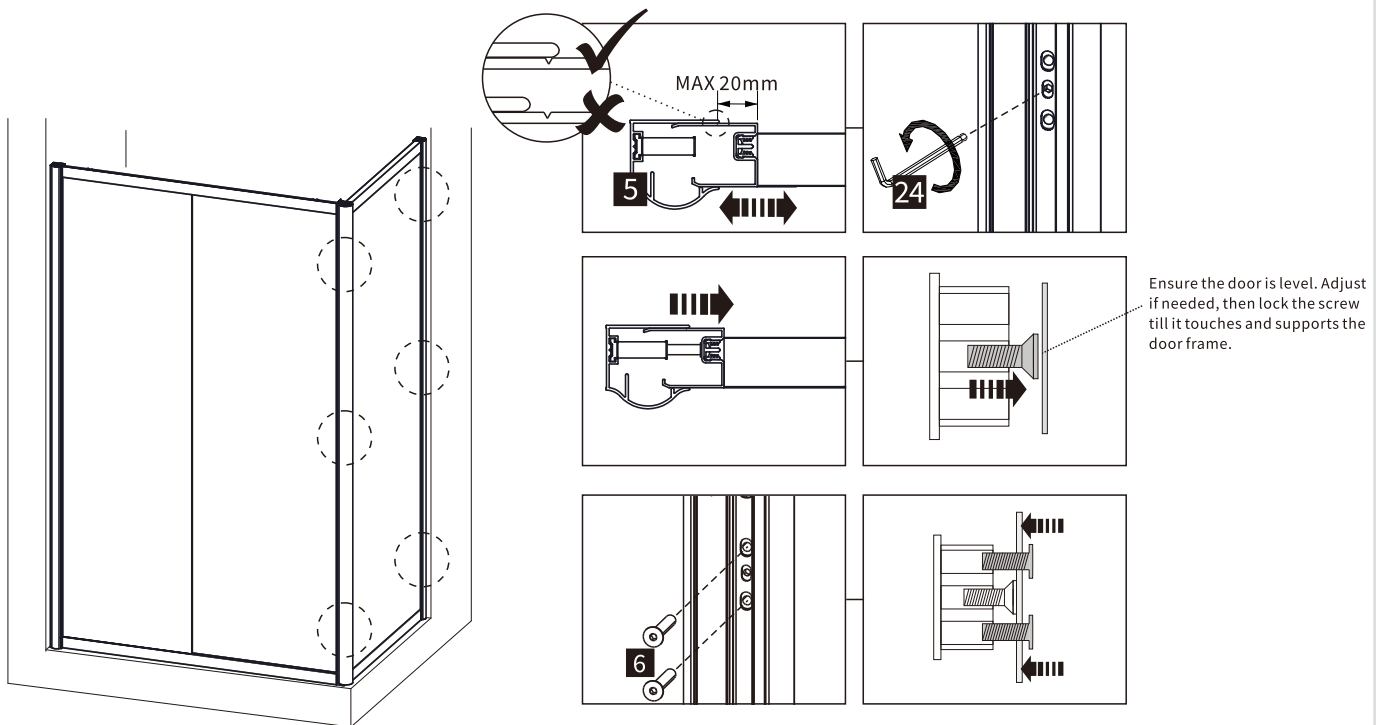


## INSTALLATION

20

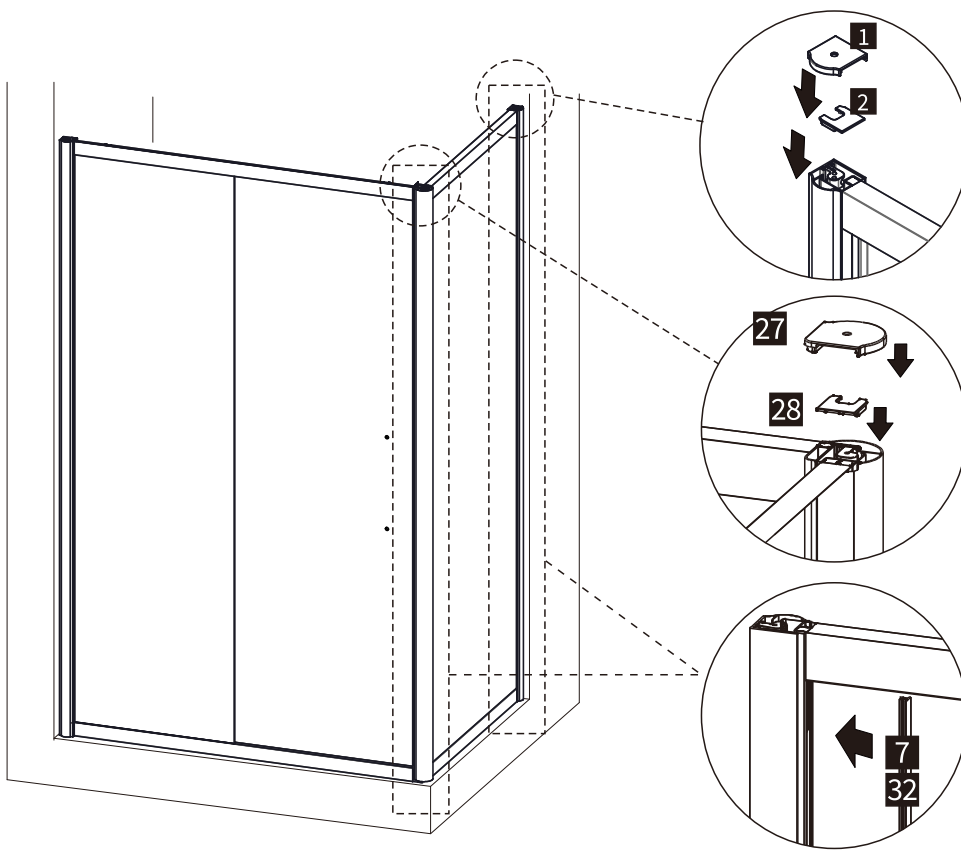


21

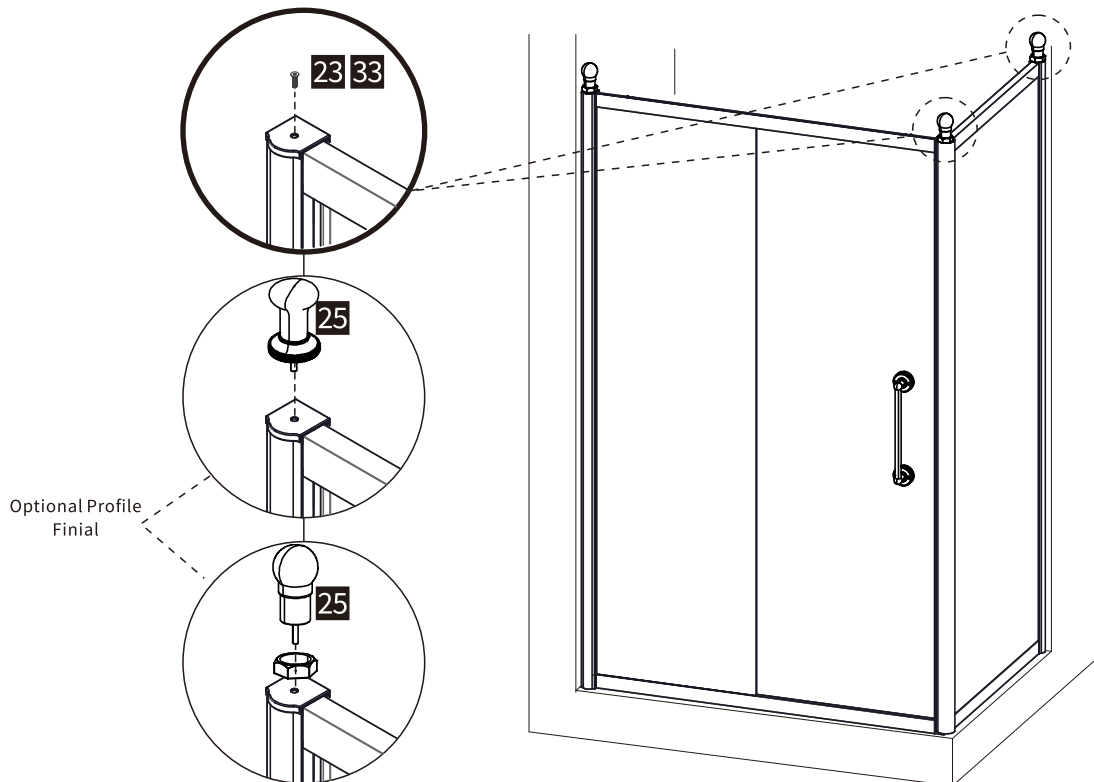


INSTALLATION

22



23

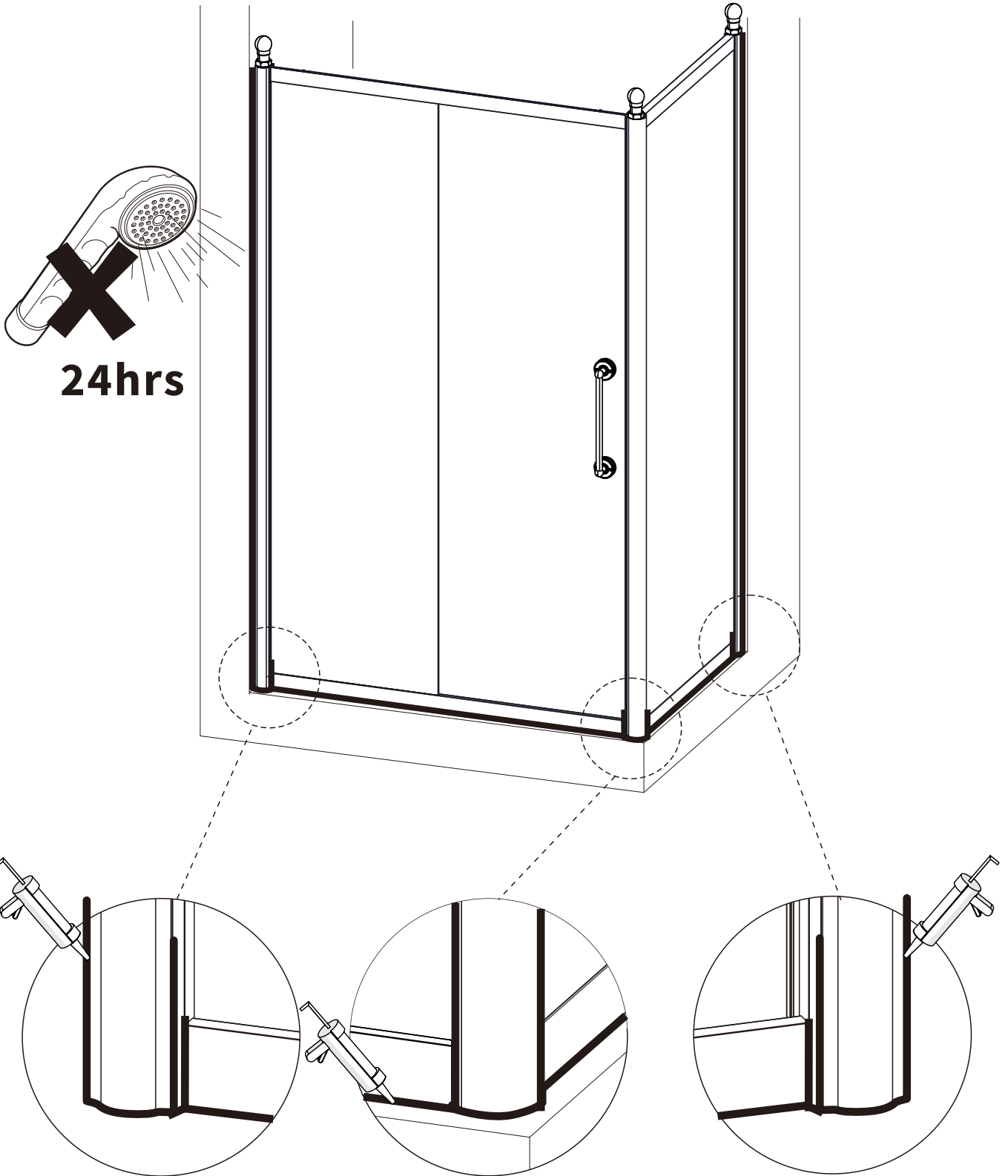




INSTALLATION

*Burlington*<sup>®</sup>

24



*Burlington*<sup>®</sup>

CARE & MAINTENANCE

Do not use solvents or abrasive materials or chemicals to clean shower doors.

PH < 6.8, PH > 7.2

Only use soapy water and soft cloth, rinse thoroughly afterwards.

PH = 6.8 - 7.2



*Burlington*<sup>®</sup>

Part of the  
Bathroom Brands Group

We reserve the right to make technical modifications without prior notice.

*Burlington*<sup>®</sup>

Lake View House  
Rennie Drive, Dartford  
Kent DA1 5FU  
United Kingdom  
0345 873 8840  
[www.crosswater.co.uk](http://www.crosswater.co.uk)