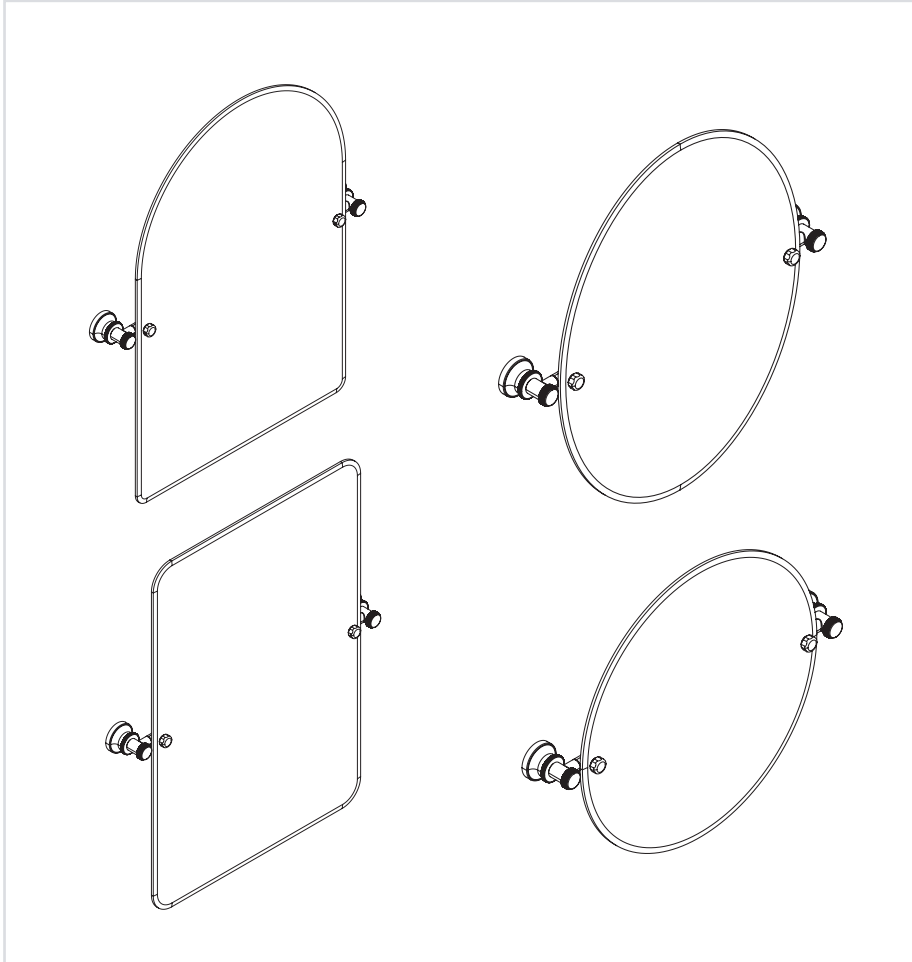


HINGED MIRRORS

Range of mirrors and decorative fixings



PRODUCT CODES:

MIRAR45X65
MIRAR55X75
MIRRE45X65
MIRRE65X85
MIROV40X50
MIROV50X70
MIROV60X80
MIRRU40
MIRRU50
MIRRU60



IMPORTANT INFORMATION BEFORE YOU START

Please read carefully and keep this information for further reference.

Thank you for buying a Burlington Product. To ensure that it works to its full potential, it needs to be fitted correctly. Check the content of the pack carefully before installation. Burlington will not be held responsible for any de-fit/re-fit costs where faulty product has been fitted.

If any fault is found with materials or workmanship, it must be reported immediately to the manufacturer. Remedial action will be taken, based on information received, on condition that:

1. Full details are supplied to the manufacturer.
2. The product has not been modified or tampered with
3. The manufacturer is informed of any damage/shortages prior to installation.
4. The product has not been installed, or attempts have been made to install.

We do not accept responsibility for any problems that may occur through incorrect installation.

This product should only be installed by a suitably qualified Plumber/installer. Should the installation be completed by a non-qualified person any product guarantee maybe considered invalid. For a claim made under our warranty written certification of your installer's qualifications can be required.

It is advised that all doors and drawers are removed prior to fitting to avoid unnecessary damage occurring. It is recommended that the furniture and accessories are installed after tiling, ensuring that the product is installed flat to the tile face and allows product to be easily removed if required in the future.

BEFORE YOU START

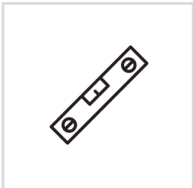


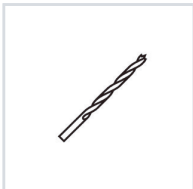


IMPORTANT INFORMATION

Please read carefully and keep this information for further reference.

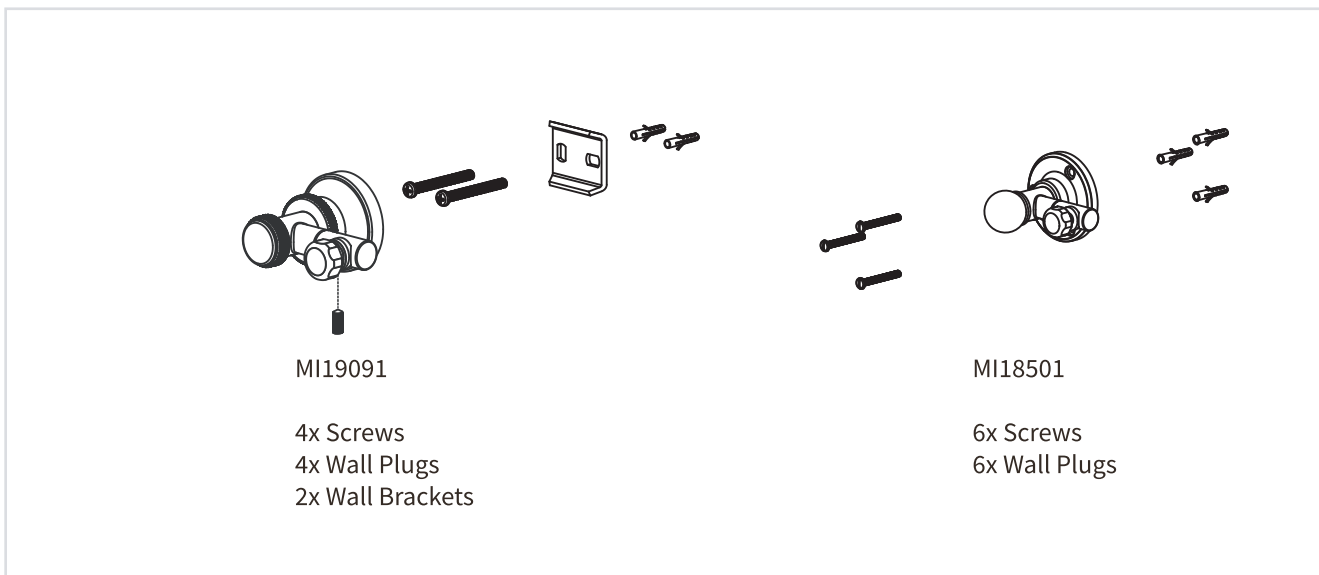
Please check for any hidden pipes or electrical cables before drilling holes in the floor or walls.

When using power tools always follow the manufacturer's user instructions. This installation guide details fitting to a solid wall. If your bathroom has studded/plasterboard walls, please use appropriate plasterboard fixings. Please ensure the wall can take weight of units detailed above. Before installing a wooden bathroom unit into a new property, extension or recently plastered room we strongly advise the building/room is completely dry, well ventilated and adequately heated.

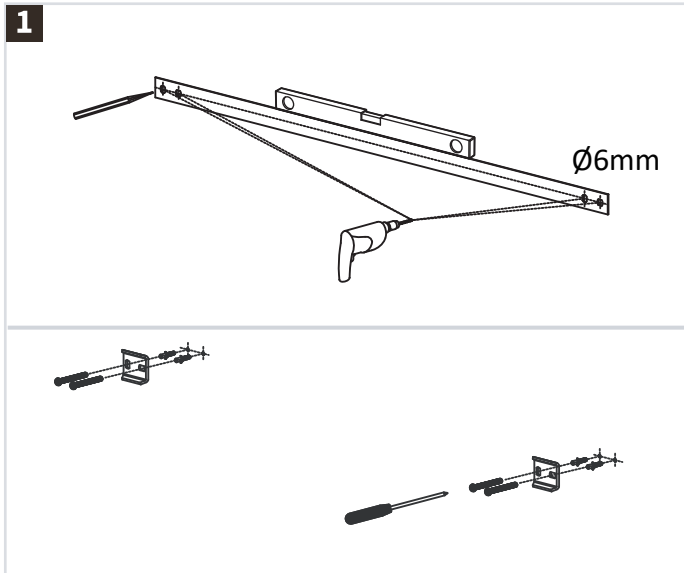
Tools Required (not supplied):

Spirit Level		Screwdriver	
Pencil		6 mm Drill Bit	
Drill		Measuring Tape	

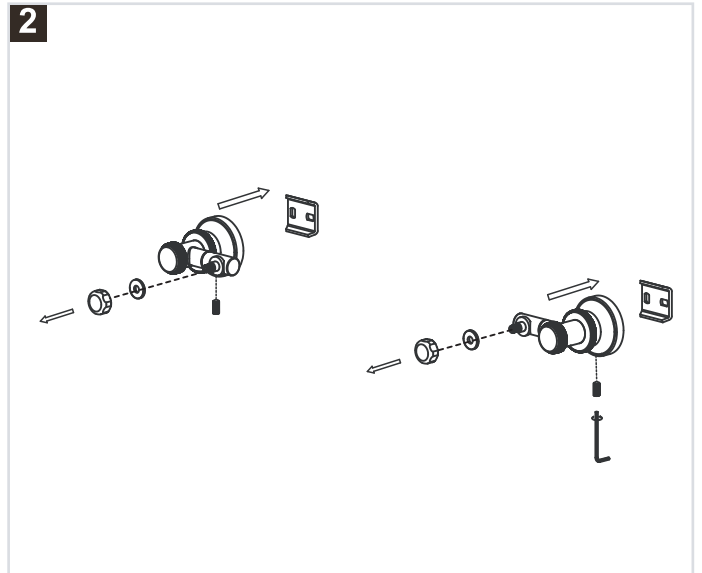
FIXINGS



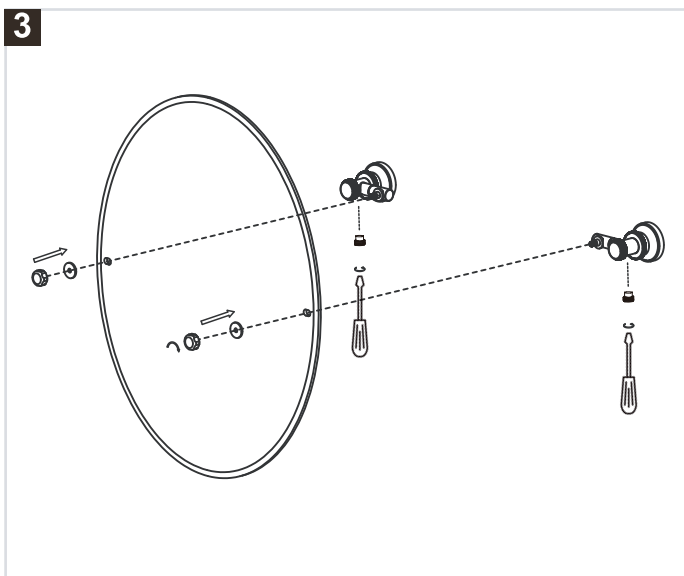
1909 MIRROR INSTALLATION



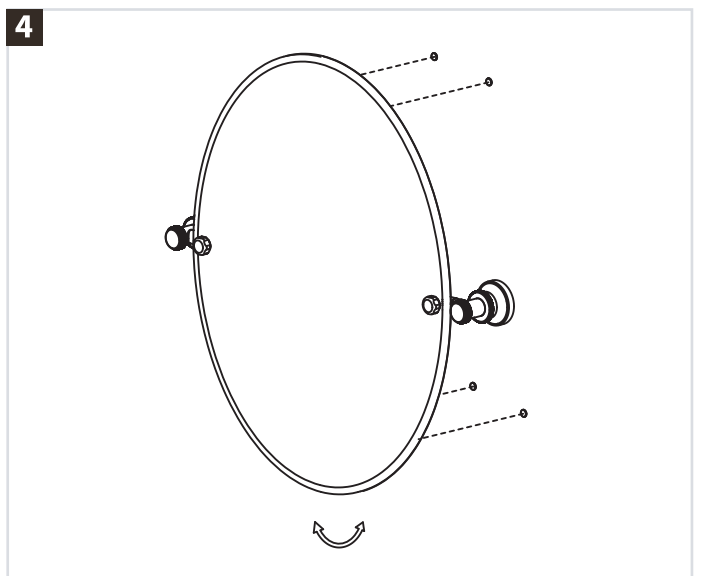
Mark the wall with the location of the fixings. Drill and install the wall fixing backplate. The fixings provided are for solid walls, for other wall types use specialist fixings.



Release the washer and hex nut, then assemble the mirror fixings to the fixing backplate tightening them by hand with the allen key provided, as shown in the diagram. Make sure it is a tight fit.

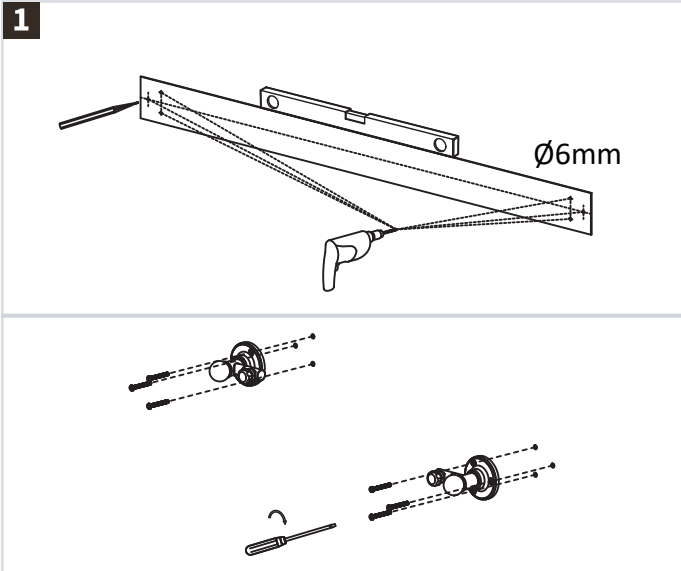


Place the mirror on the wall brackets and tighten with the washer and hex nut by hand, ensuring a tight fit. The pivot hinge can then be tightened by the grub screw on the underside of the pivot fixing.

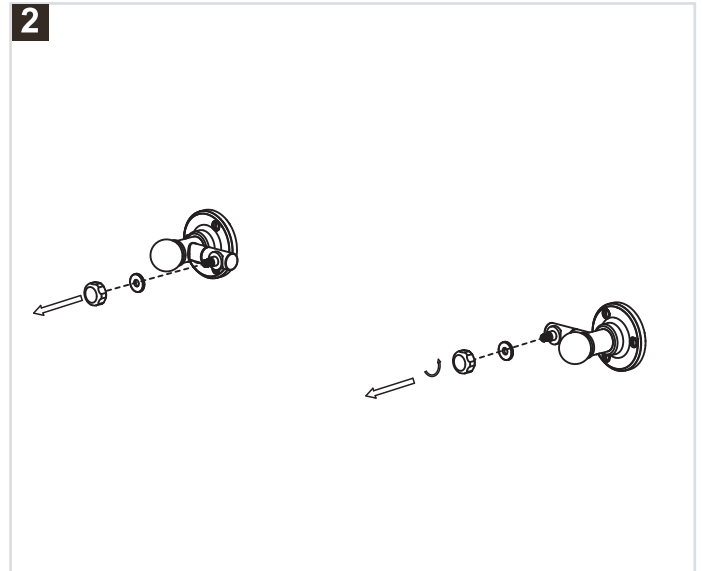


Make sure the installation is level. Place the silicone protectors on the edges of the back of the mirror to avoid impact with the wall.

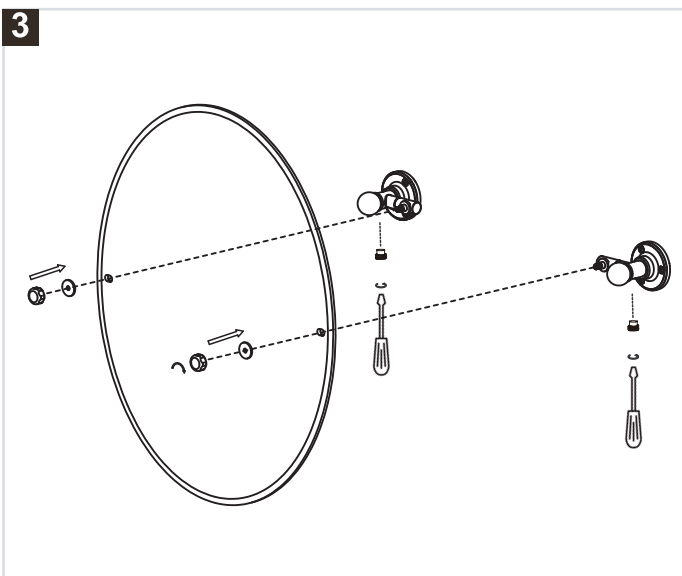
1850 MIRROR INSTALLATION



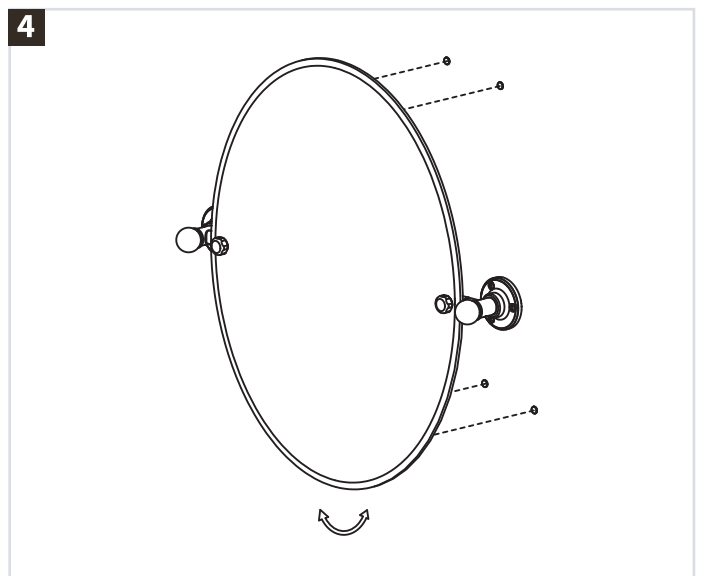
Mark the wall with the location of the fixings. Drill and install the mirror fixings. The fixings provided are for solid walls, for other wall types use specialist fixings.



Release the washer and hex nut.



Place the mirror on the wall brackets and tighten with the washer and hex nut by hand, ensuring a tight fit. The pivot hinge can then be tightened by the grub screw on the underside of the pivot fixing.



Make sure the installation is level. Place the silicone protectors on the edges of the back of the mirror to avoid impact with the wall.

Burlington[®]

CARE & MAINTENANCE

Clean regularly using with warm soapy water and polish with only a soft cloth. Any residues from soap, toiletries etc. should be rinsed off straight after use. Household bleaches and cleaners containing harsh chemicals may damage the surface finish. Avoid using abrasive cloths, scouring pads, scrub sponges, steel wool or anything similar. Lime-scale marks can be cleaned using a diluted lime-scale remover used in accordance with manufacturers instructions.

Burlington[®]

Lake View House
Rennie Drive, Dartford
Kent DA1 5FU
United Kingdom
0345 873 8840
www.burlingtonbathrooms.com