

# PRODUCT DATA SHEET

*Burlington*<sup>®</sup>



## PRODUCT CODE

MIRAR45X65

## RANGE

Burlington

## DESCRIPTION

Arch Mirror 450 x 650 x 5mm

WEBSITE LINK [Click Here](#)

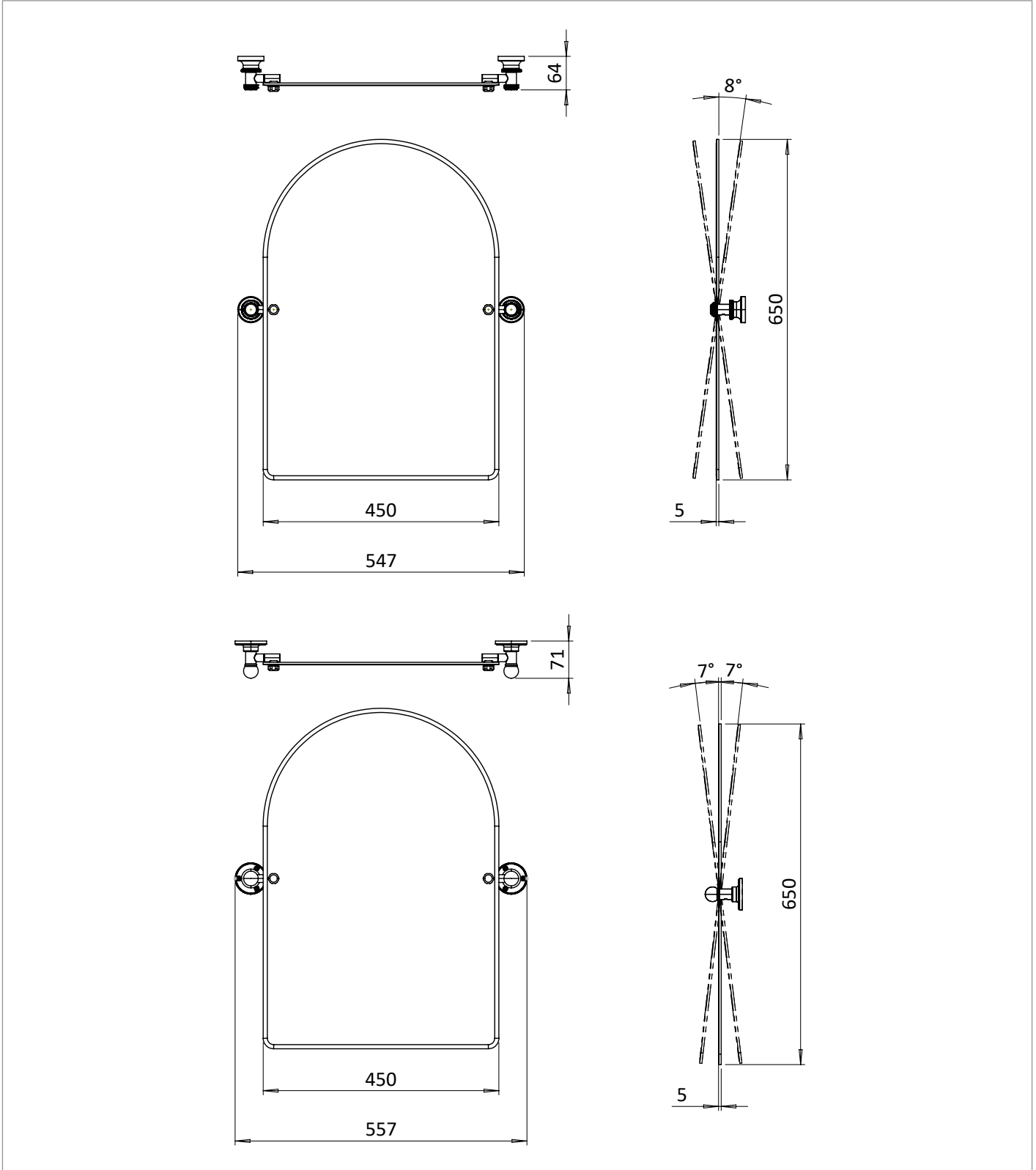
CATEGORY	Cabinets & Mirrors
WARRANTY DETAILS	5 Years
PRIMARY MATERIAL	Glass
INSTALL TYPE	Wall Mounted
PRODUCT WIDTH MM	450
PRODUCT HEIGHT MM	650
PRODUCT LENGTH MM	5
PRODUCT NET WEIGHT KG	3.28
STANDARDS	ISO 9001

HANDING MIRROR & CABINETS	Universal
TEMPERATURE CHANGING	No
SHELVES ADJUSTABLE	No
SHAVER SOCKET INCLUDED	No
DIMMABLE	No

## TECHNICAL DIMENSIONS

Dimensions in mm unless otherwise specified.

Tolerances (per material type) apply.



**SPARES LIST**

Only the parts labelled are available as spares.

**NO SPARES AVAILABLE**