

PRODUCT DATA SHEET

Burlington[®]



PRODUCT CODE

MI18501L

RANGE

Burlington

DESCRIPTION

Mirror 1850 Fixing One Pair Brushed Nickel

WEBSITE LINK [Click Here](#)

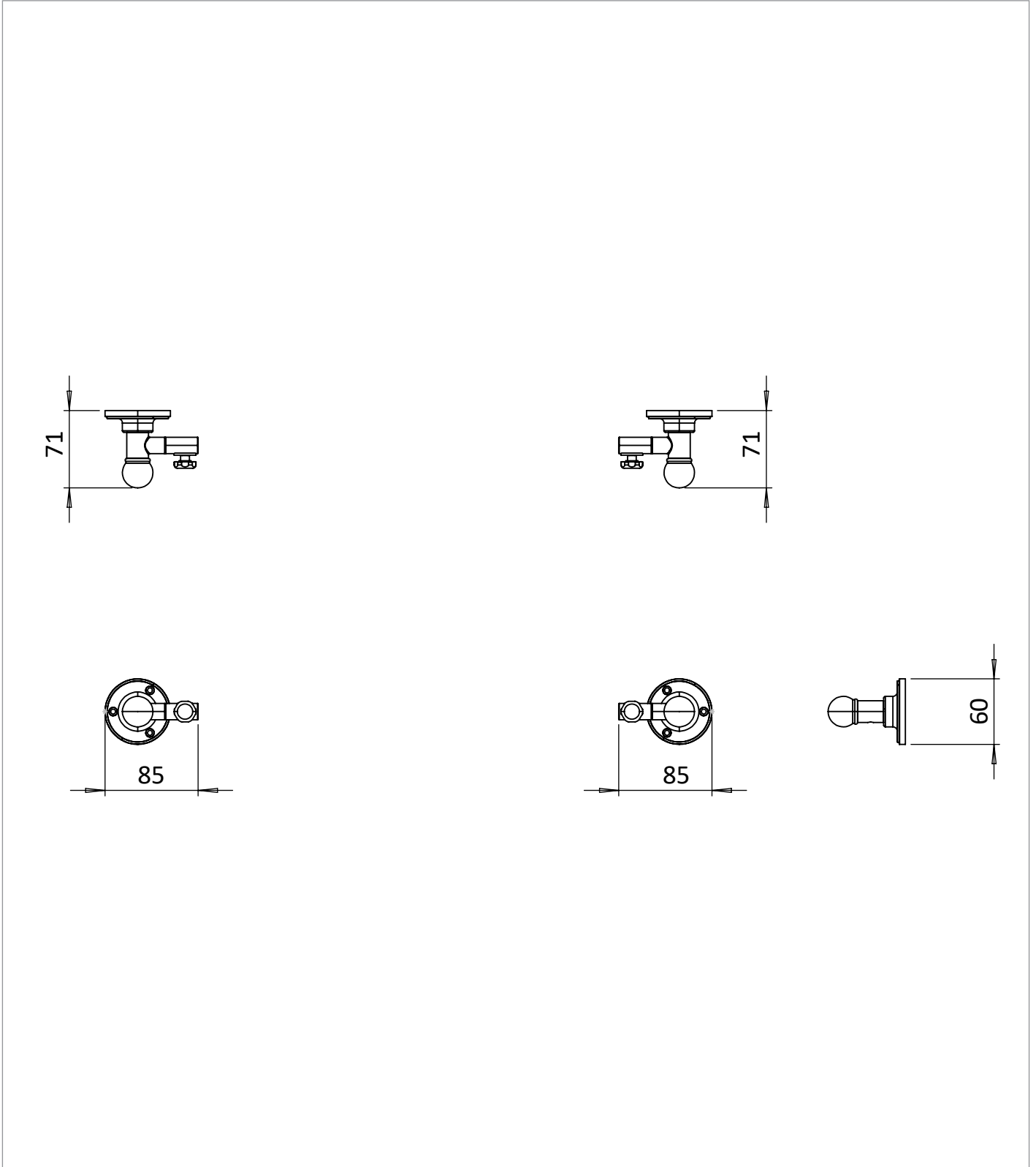
| | |
|-----------------------|---------------------|
| CATEGORY | Cabinets & Mirrors |
| WARRANTY DETAILS | 2 Years |
| COLOUR | Brushed Nickel |
| FINISH APPLICATION | PVD |
| PRIMARY MATERIAL | Brass |
| SECONDARY MATERIAL | 304 Stainless Steel |
| INSTALL TYPE | Wall Mounted |
| PRODUCT WIDTH MM | 85 |
| PRODUCT HEIGHT MM | 60 |
| PRODUCT LENGTH MM | 71 |
| PRODUCT NET WEIGHT KG | 0.74 |
| STANDARDS | ISO 9001 |

| | |
|---------------------------|-----------|
| HANDING MIRROR & CABINETS | Universal |
| TEMPERATURE CHANGING | No |
| SHELVES ADJUSTABLE | No |
| SHAVER SOCKET INCLUDED | No |
| DIMMABLE | No |

TECHNICAL DIMENSIONS

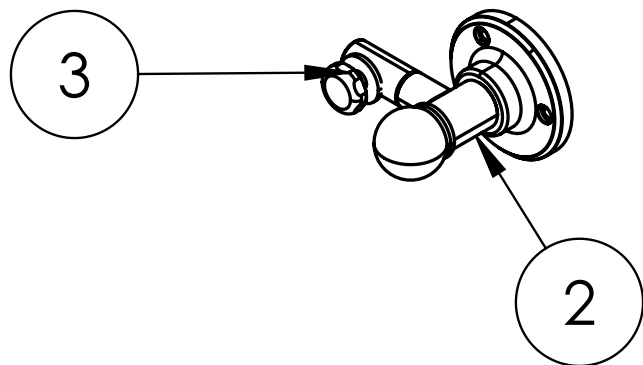
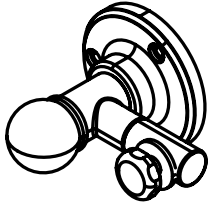
Dimensions in mm unless otherwise specified.

Tolerances (per material type) apply.



SPARES LIST

Only the parts labelled are available as spares.



| NUMBER | PART CODE | DESCRIPTION |
|--------|-----------|--|
| 1 | SP1954 | Screw Bag for Mirror 1850 fixing Chrome |
| | SP1955 | Screw Bag for Mirror 1850 fixing Gold |
| | SP1956 | Screw Bag for Mirror 1850 fixing Brushed nickel |
| 2 | SP1953 | Grub Screws For Mirror 1909 & 1850 fixings |
| 3 | SP1957 | Hexagon Tighten Nut for fixing Mirror Chrome |
| | SP1958 | Hexagon Tighten Nut fixing Mirror Gold |
| | SP1959 | Hexagon Tighten Nut fixing Mirror Brushed nickel |