

PRODUCT DATA SHEET

Burlington[®]



PRODUCT CODE

BUR025C

RANGE

Victorian

DESCRIPTION

Freestanding Toilet Brush Holder
Chrome

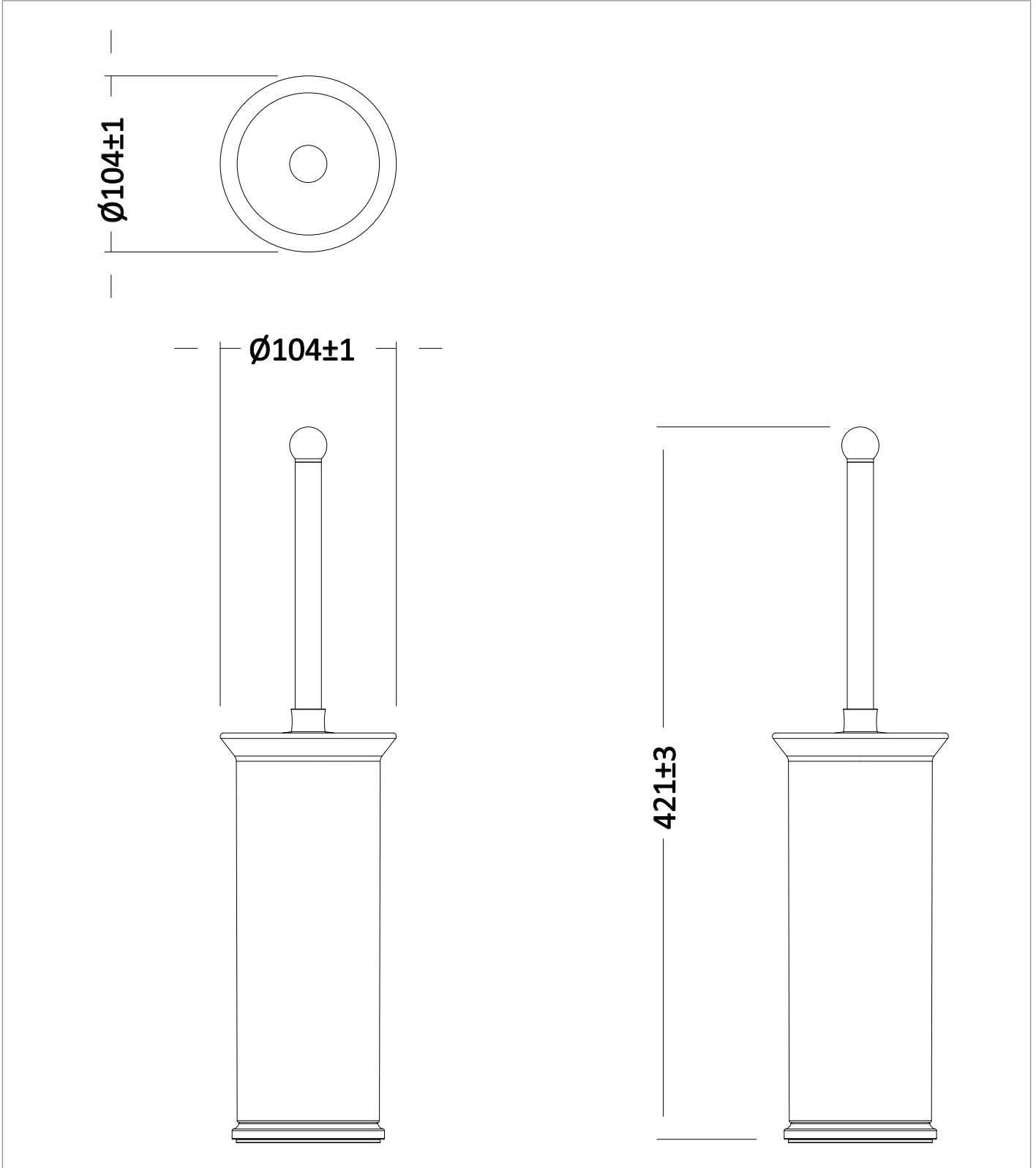
WEBSITE LINK [Click Here](#)

CATEGORY	Accessories
WARRANTY DETAILS	15 Years
COLOUR	Chrome
FINISH APPLICATION	Electroplated
PRIMARY MATERIAL	Brass
SECONDARY MATERIAL	Fine Fire Clay
INSTALL TYPE	Floor Mounted
PRODUCT WIDTH MM	104
PRODUCT HEIGHT MM	421
PRODUCT DEPTH MM	104
PRODUCT NET WEIGHT KG	1.2

TECHNICAL DIMENSIONS

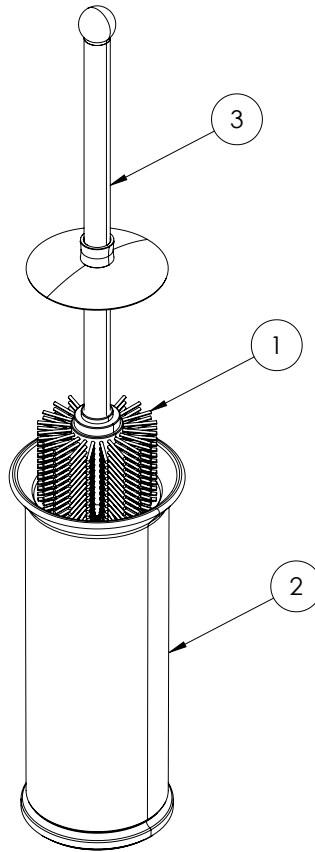
Dimensions in mm unless otherwise specified.

Tolerances (per material type) apply.



SPARES LIST

Only the parts labelled are available as spares.



NUMBER	PART CODE	DESCRIPTION
1	SP522N	Silicone WC brush head for A8/CHR/GOLD/BNKL,GU025C/L/G,HOX-025C/F,BUR025C/L/G
2	SP2031	Ceramic Toilet Holder for BUR025L
	SP2032	Ceramic Toilet Holder for BUR025G
	SP2030	Ceramic Toilet Holder for BUR025C
3	SP542NBKLN	Brush set Brushed Nickel for A8BNKL,BUR025L
	SP542NGOLD	Brush set Gold for A8GOLD,BUR025G
	SP542N	Brush set Chrome for A8CHR,BUR025C