

PRODUCT DATA SHEET

Burlington[®]



PRODUCT CODE

R1 GOLD

RANGE

Heating

DESCRIPTION

Trafalgar Gold/White Towel Warmer

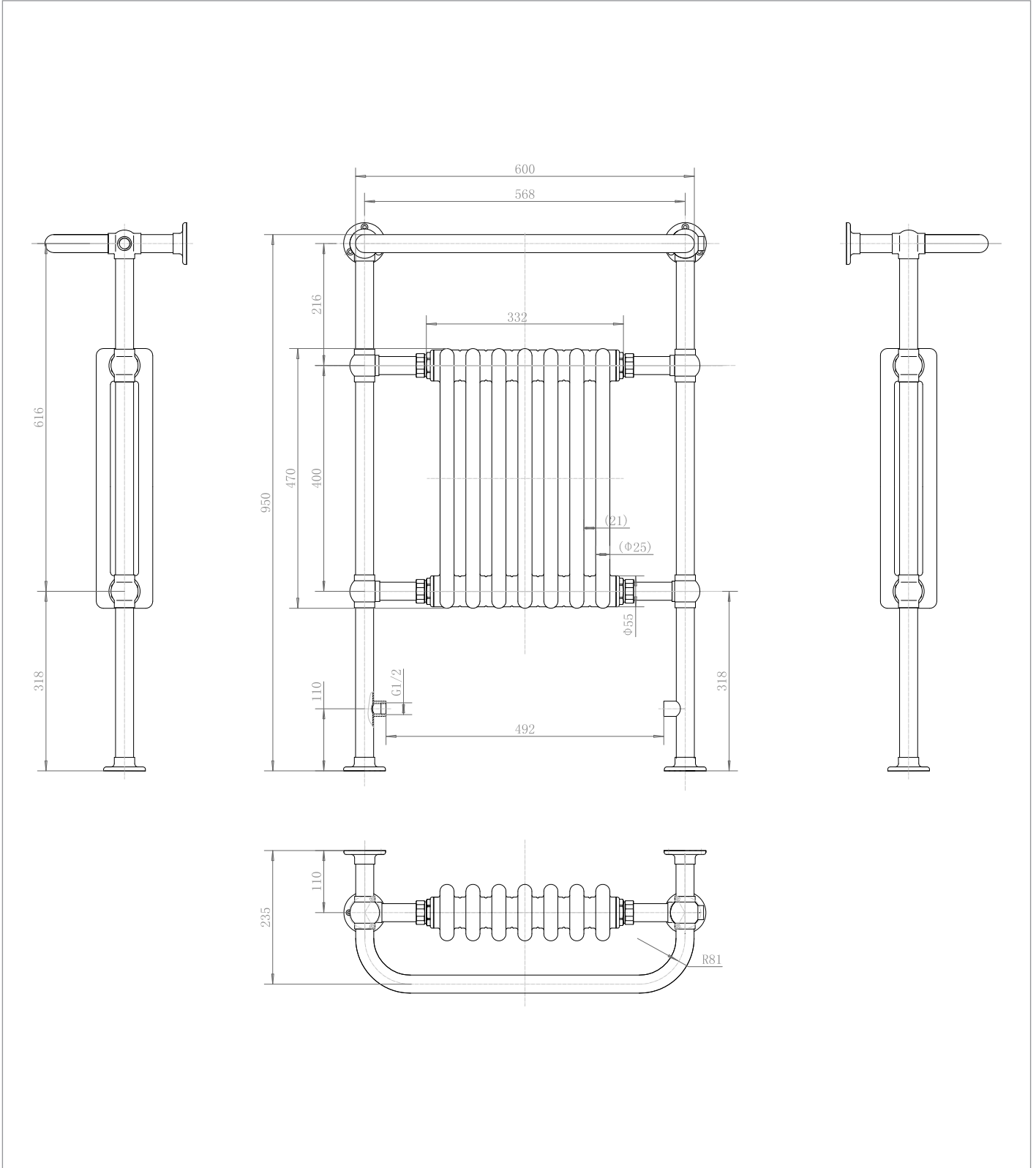
CATEGORY	Heating
WARRANTY DETAILS	5 Years
COLOUR	Gold
FINISH APPLICATION	PVD
PRIMARY MATERIAL	Steel
INSTALL TYPE	Floor Mounted
PRODUCT WIDTH MM	642
PRODUCT HEIGHT MM	971
PRODUCT DEPTH MM	251
PRODUCT NET WEIGHT KG	16.58
STANDARDS	BS EN 442-1:2015, BS EN 442-2:2015

INLET CONNECTIONS THREAD HEATING	G 1/2
OUTPUT (WATTS)	475
FUEL TYPE	Central
BAR COUNT	3+7
OUTPUT (BTU ΔT=50)	2047
TEMPERATURE RANGE	Maximum working temperature:95

TECHNICAL DIMENSIONS

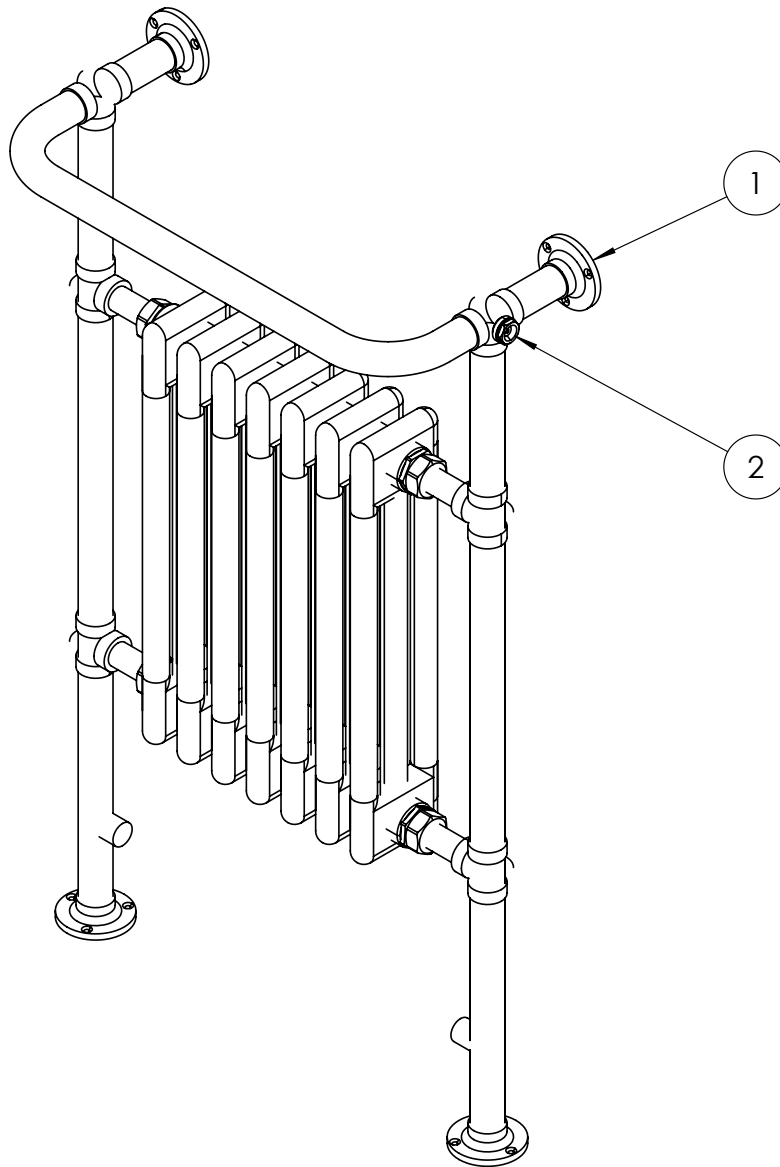
Dimensions in mm unless otherwise specified.

Tolerances (per material type) apply.



SPARES LIST

Only the parts labelled are available as spares.



NUMBER	PART CODE	DESCRIPTION
1	SP137GOLD	Brackets Set Gold
2	SP801GOLD	Air Vent Gold Towel Rail