

PRODUCT DATA SHEET

Burlington[®]



PRODUCT CODE

T71BNKL

RANGE

Victorian

DESCRIPTION

Brushed Nickel Aluminium Low Level & Medium Level Cistern including lever cistern fittings

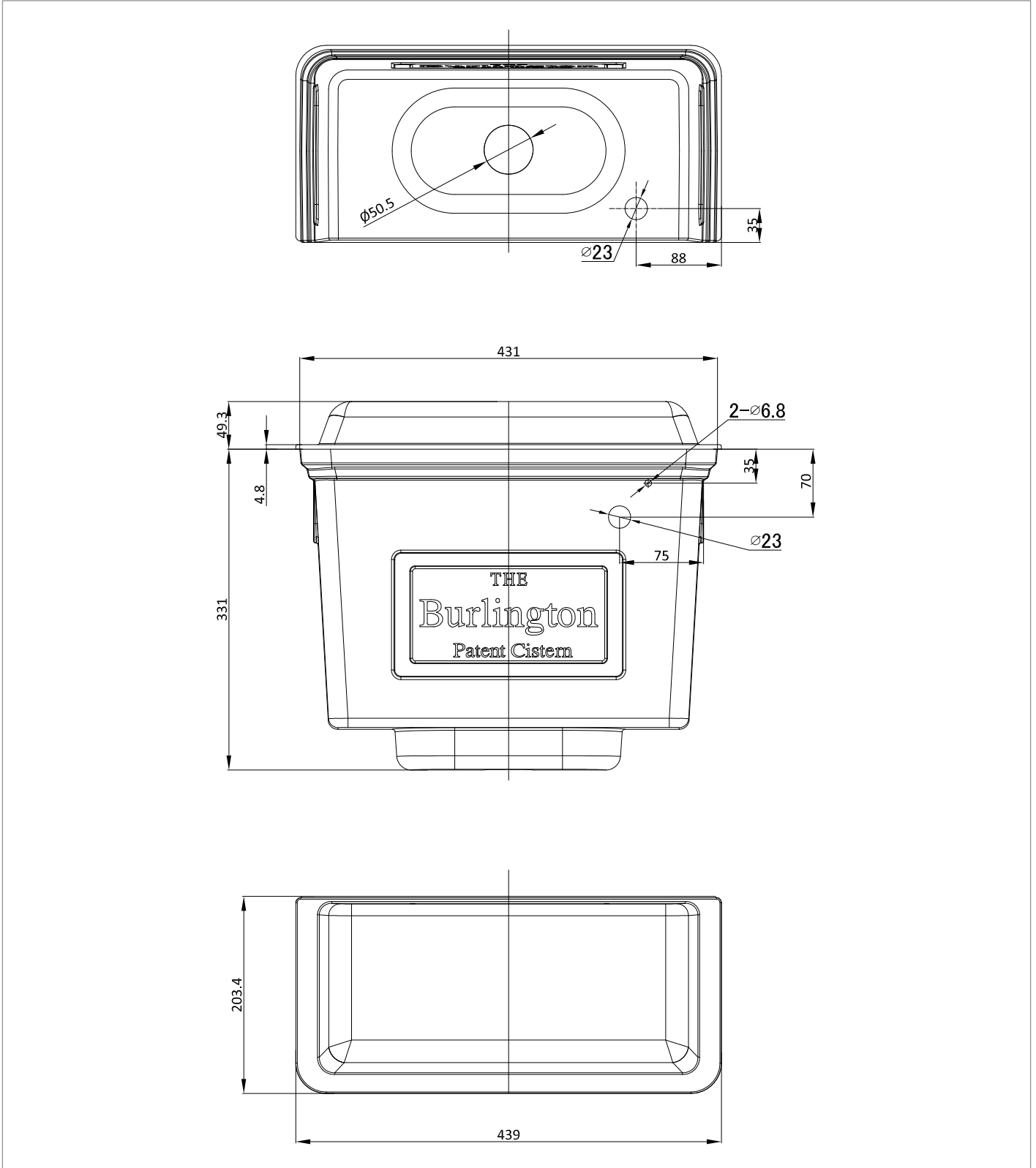
CATEGORY	Sanitaryware
WARRANTY DETAILS	5 Years
COLOUR	Brushed Nickel
FINISH APPLICATION	Electroplated
PRIMARY MATERIAL	Aluminum
INSTALL TYPE	Wall Mounted
PRODUCT WIDTH MM	439
PRODUCT HEIGHT MM	380.3
PRODUCT LENGTH MM	203.4
PRODUCT NET WEIGHT KG	8.3

FIXINGS INCLUDED	Yes
------------------	-----

TECHNICAL DIMENSIONS

Dimensions in mm unless otherwise specified.

Tolerances (per material type) apply.



SPARES LIST

Only the parts labelled are available as spares.

SPARES AVAILABLE UPON REQUEST