

PRODUCT DATA SHEET

Burlington[®]



PRODUCT CODE

T71BNKL

RANGE

Victorian

DESCRIPTION

Brushed Nickel Aluminium Low Level & Medium Level Cistern including lever cistern fittings

WEBSITE LINK [Click Here](#)

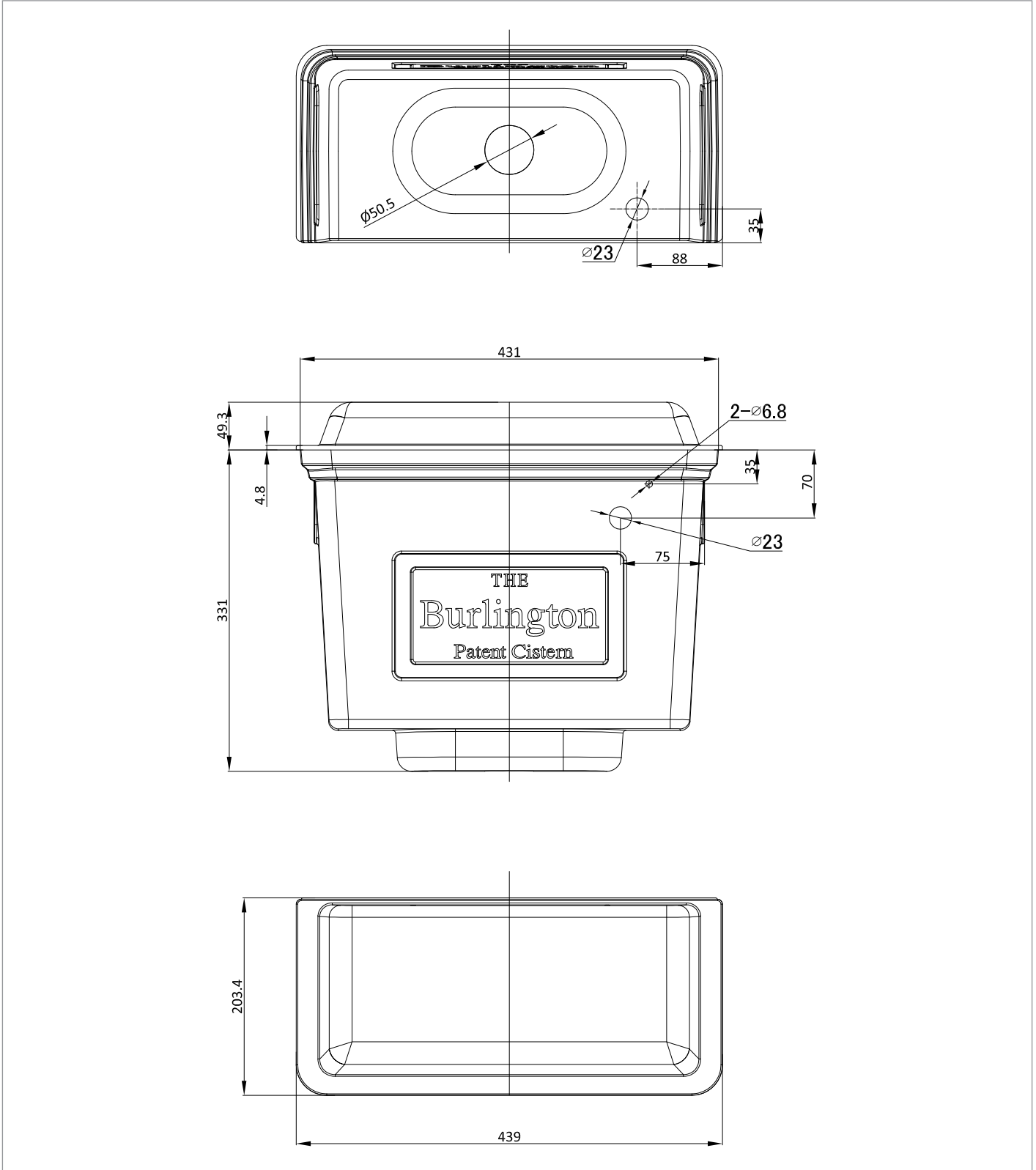
| | |
|-----------------------|----------------|
| CATEGORY | Sanitaryware |
| WARRANTY DETAILS | 5 Years |
| COLOUR | Brushed Nickel |
| FINISH APPLICATION | Electroplated |
| PRIMARY MATERIAL | Aluminum |
| INSTALL TYPE | Wall Mounted |
| PRODUCT WIDTH MM | 439 |
| PRODUCT HEIGHT MM | 380.3 |
| PRODUCT LENGTH MM | 203.4 |
| PRODUCT NET WEIGHT KG | 8.3 |

| | |
|------------------|-----|
| FIXINGS INCLUDED | Yes |
|------------------|-----|

TECHNICAL DIMENSIONS

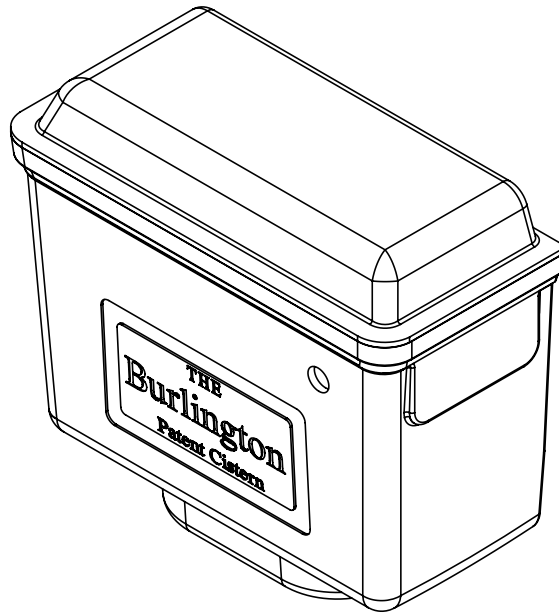
Dimensions in mm unless otherwise specified.

Tolerances (per material type) apply.



SPARES LIST

Only the parts labelled are available as spares.



| NUMBER | PART CODE | DESCRIPTION |
|--------|-----------|--|
| 1 | SP504_2 | Inlet valve for Burlington Close Coupled |
| 2 | SP8 | Ceramic Cistern lever Close Coupled/ Low |