

PRODUCT DATA SHEET

Burlington[®]



PRODUCT CODE

CQ1850HDFNL

RANGE

Classique

DESCRIPTION

Classique 1850 Singular Handle and Profile Finial Pair Brushed Nickel

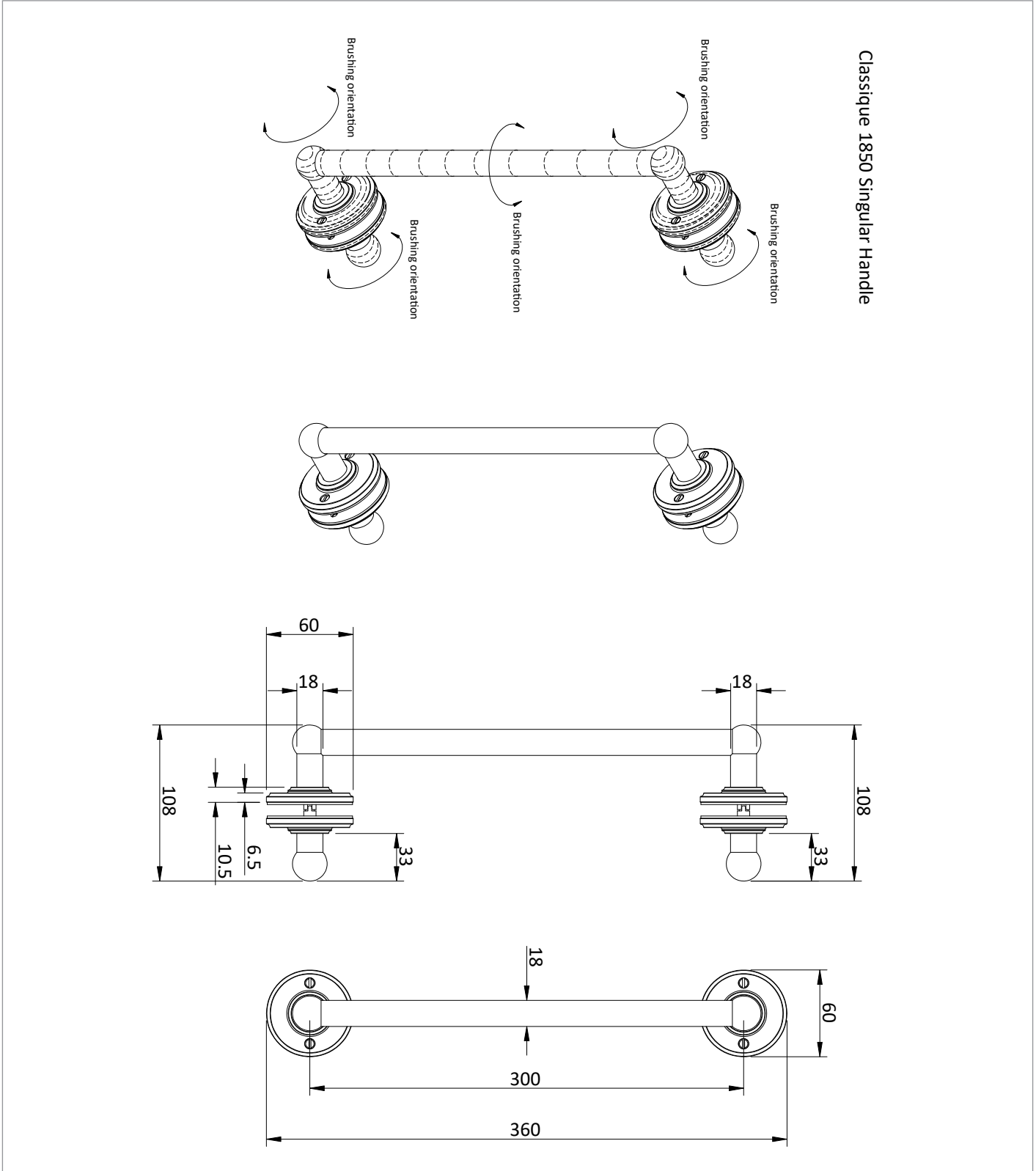
CATEGORY	Showering
WARRANTY DETAILS	2 Years
COLOUR	Brushed Nickel
FINISH APPLICATION	PVD
PRIMARY MATERIAL	304 Stainless Steel
PRODUCT WIDTH MM	108
PRODUCT HEIGHT MM	360
PRODUCT LENGTH MM	60
PRODUCT NET WEIGHT KG	2.4

WET ROOM COMPATIBLE	Yes
DOOR A INFORMATION	Handle and Finial

TECHNICAL DIMENSIONS

Dimensions in mm unless otherwise specified.

Tolerances (per material type) apply.



SPARES LIST

Only the parts labelled are available as spares.

SPARES AVAILABLE UPON REQUEST