

# PRODUCT DATA SHEET

*Burlington*<sup>®</sup>



## PRODUCT CODE

MI18501G

## RANGE

Burlington

## DESCRIPTION

Mirror 1850 Fixing One Pair Gold

WEBSITE LINK [Click Here](#)

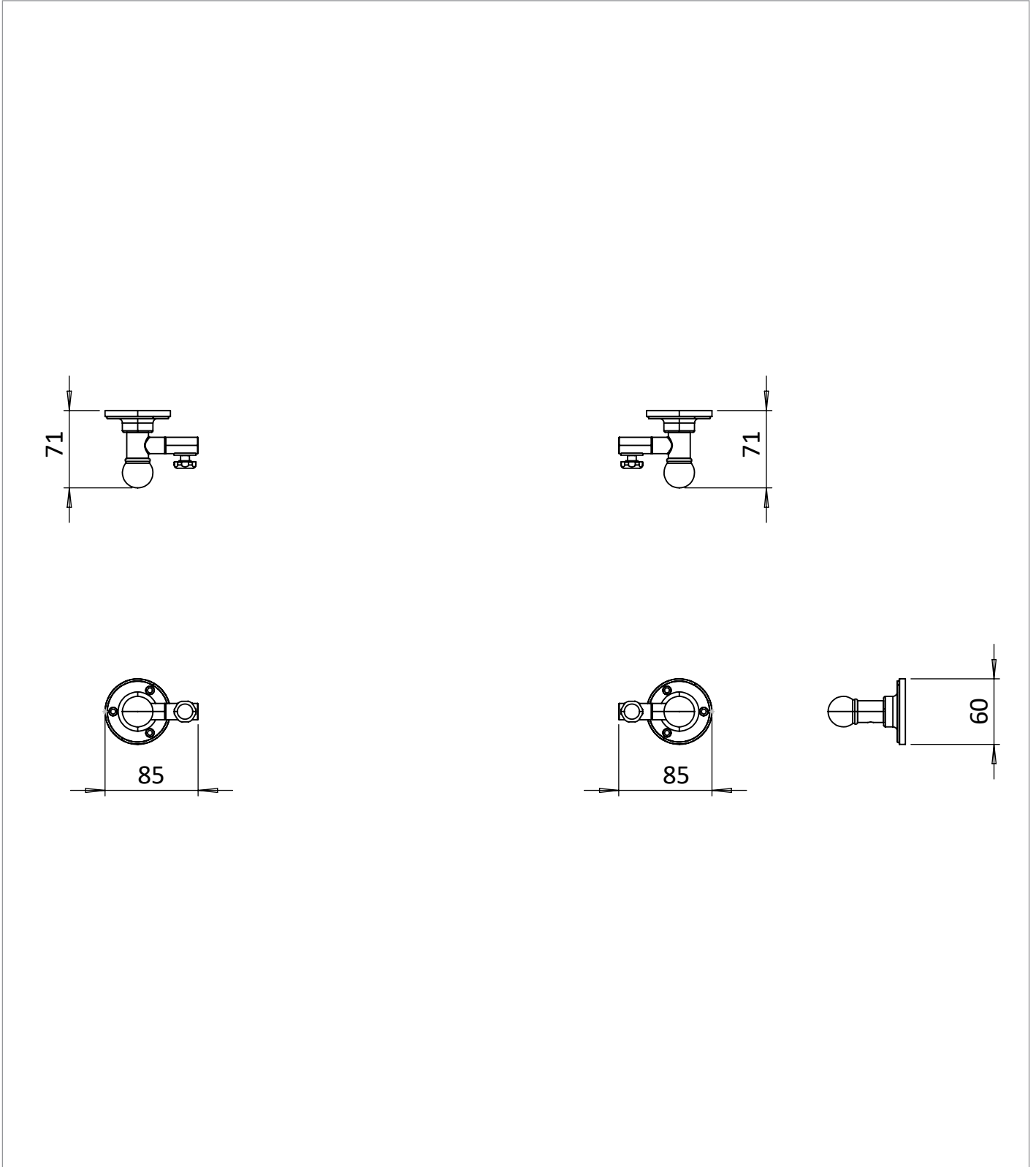
CATEGORY	Cabinets & Mirrors
WARRANTY DETAILS	2 Years
COLOUR	Gold
FINISH APPLICATION	PVD
PRIMARY MATERIAL	Brass
SECONDARY MATERIAL	304 Stainless Steel
INSTALL TYPE	Wall Mounted
PRODUCT WIDTH MM	85
PRODUCT HEIGHT MM	60
PRODUCT LENGTH MM	71
PRODUCT NET WEIGHT KG	0.74
STANDARDS	ISO 9001

HANDING MIRROR & CABINETS	Universal
TEMPERATURE CHANGING	No
SHELVES ADJUSTABLE	No
SHAVER SOCKET INCLUDED	No
DIMMABLE	No

## TECHNICAL DIMENSIONS

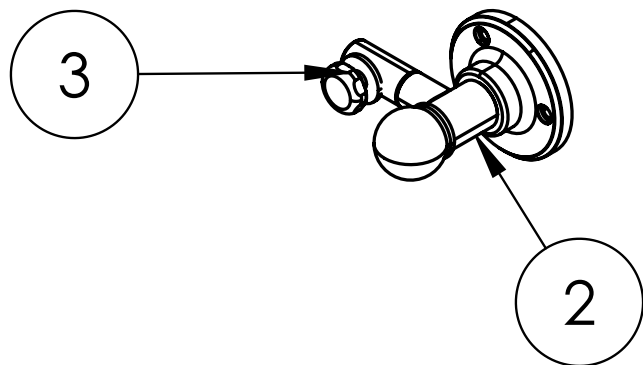
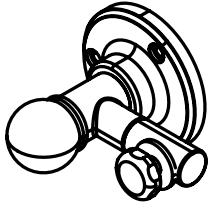
Dimensions in mm unless otherwise specified.

Tolerances (per material type) apply.



## SPARES LIST

Only the parts labelled are available as spares.



NUMBER	PART CODE	DESCRIPTION
1	SP1954	Screw Bag for Mirror 1850 fixing Chrome
	SP1955	Screw Bag for Mirror 1850 fixing Gold
	SP1956	Screw Bag for Mirror 1850 fixing Brushed nickel
2	SP1953	Grub Screws For Mirror 1909 &1850 fixings
3	SP1957	Hexagon Tighten Nut for fixing Mirror Chrome
	SP1958	Hexagon Tighten Nut fixing Mirror Gold
	SP1959	Hexagon Tighten Nut fixing Mirror Brushed nickel