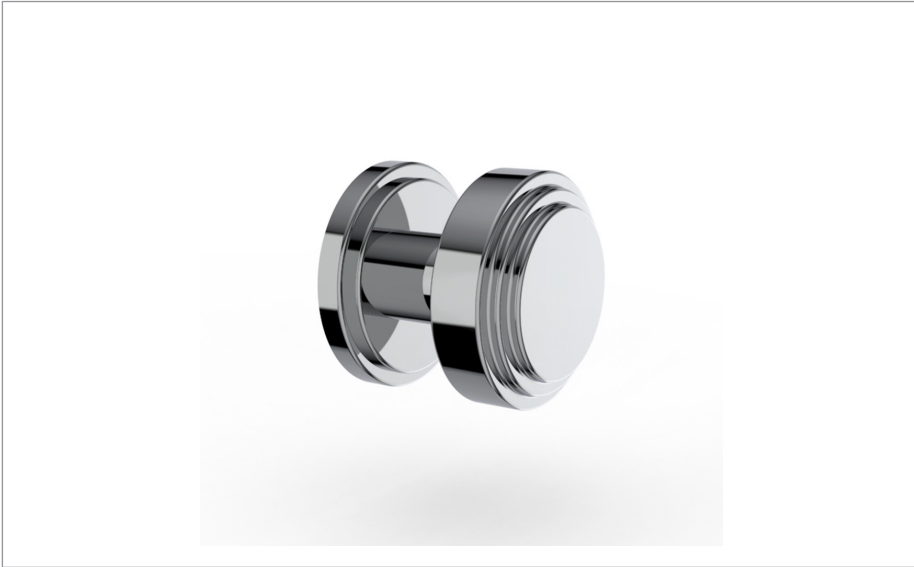


PRODUCT DATA SHEET

Burlington[®]



PRODUCT CODE

CHKCHR

RANGE

Chalfont

DESCRIPTION

Chalfont Handle (Single) Chrome

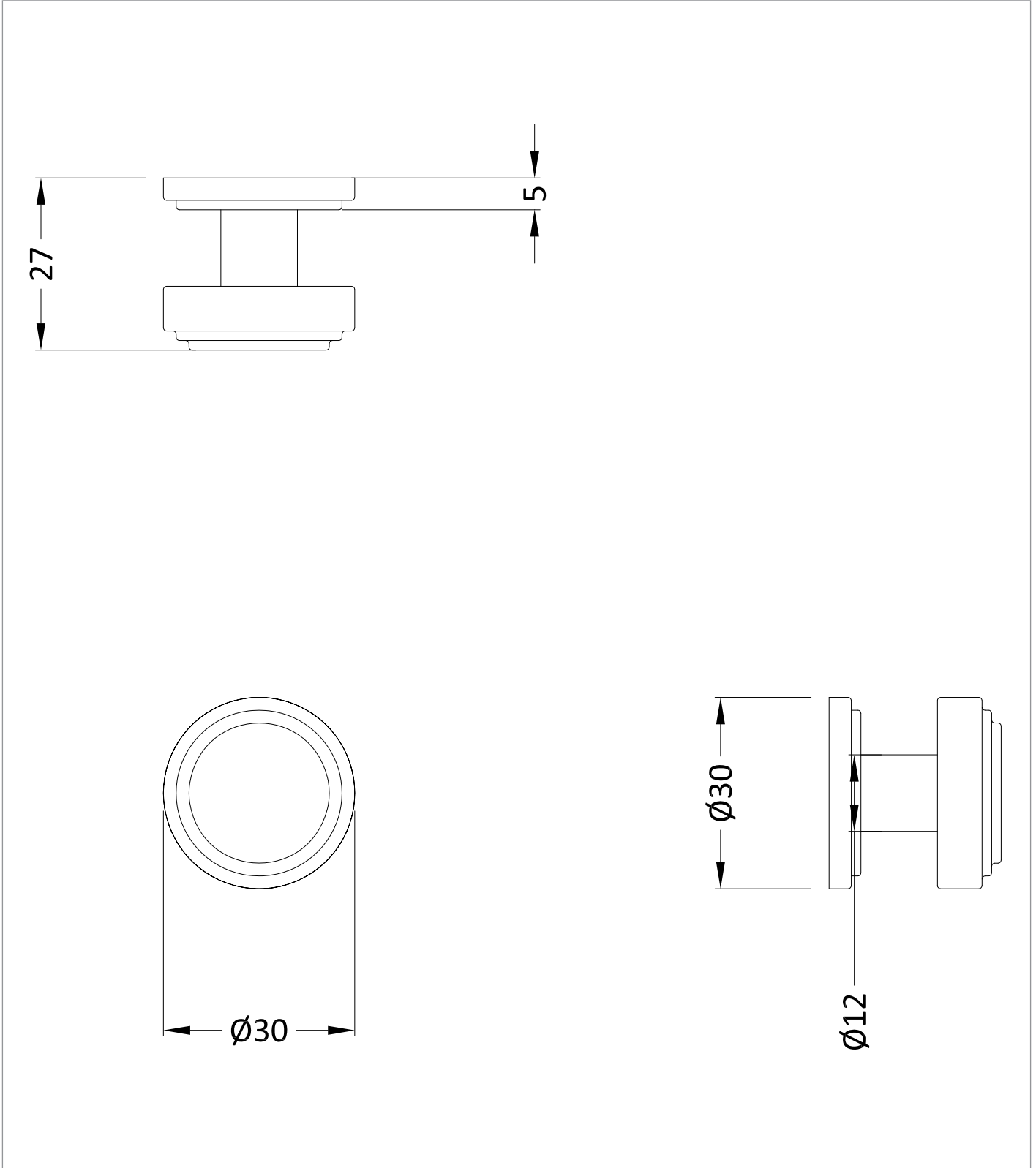
WEBSITE LINK [Click Here](#)

CATEGORY	Furniture
WARRANTY DETAILS	15 Years
COLOUR	Chrome
FINISH APPLICATION	Electroplated
PRIMARY MATERIAL	Brass
INSTALL TYPE	Furniture Mounted
PRODUCT WIDTH MM	30
PRODUCT HEIGHT MM	27
PRODUCT NET WEIGHT KG	0.09
STANDARDS	BS EN248:2002

TECHNICAL DIMENSIONS

Dimensions in mm unless otherwise specified.

Tolerances (per material type) apply.



SPARES LIST

Only the parts labelled are available as spares.

SPARES AVAILABLE UPON REQUEST