

# PRODUCT DATA SHEET

*Burlington*<sup>®</sup>



## PRODUCT CODE

CHLEGGOLD

## RANGE

Chalfont

## DESCRIPTION

Chalfont Legs (Pair) Gold

WEBSITE LINK [Click Here](#)

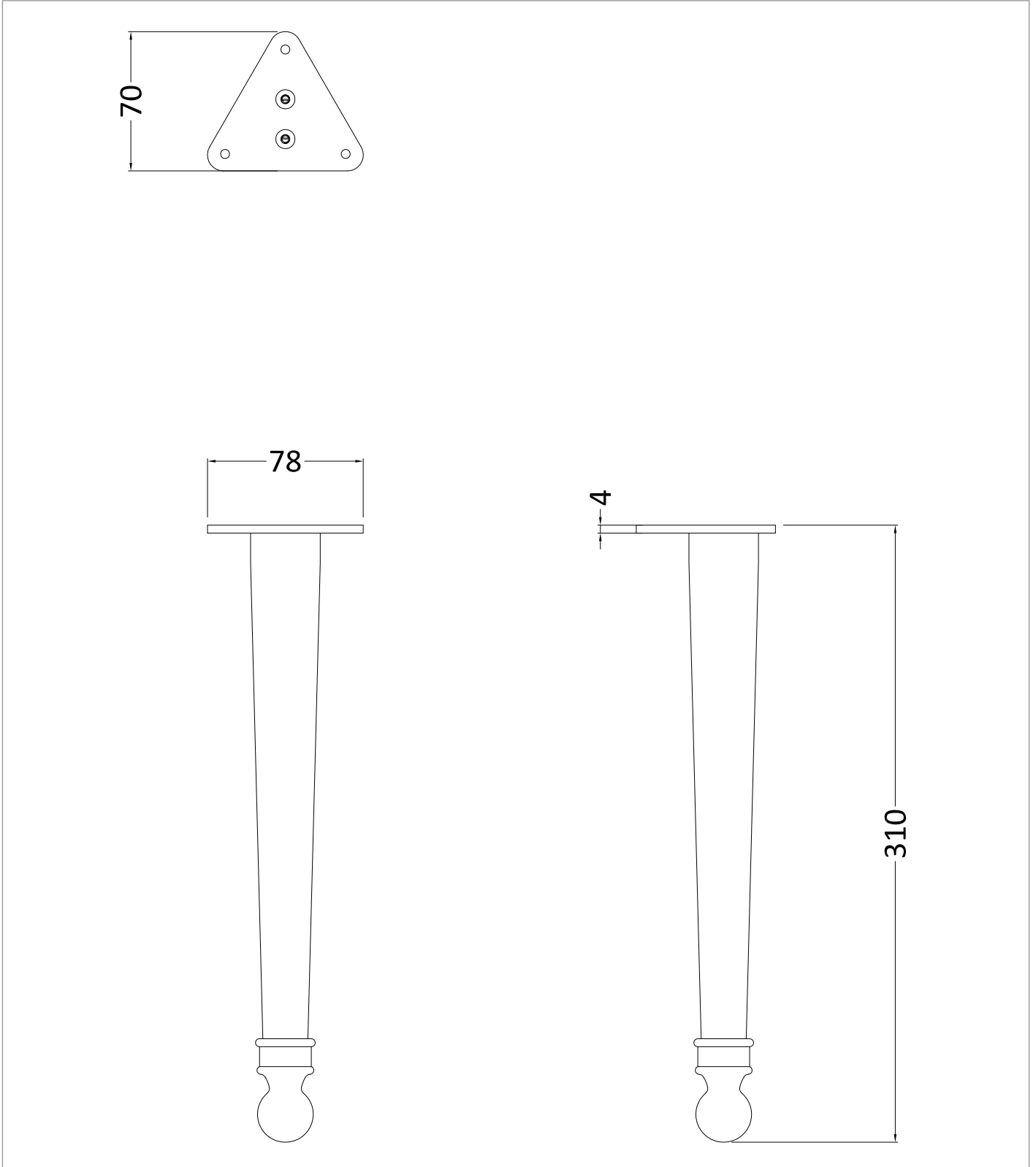
CATEGORY	Furniture
WARRANTY DETAILS	10 Years
COLOUR	Gold
FINISH APPLICATION	PVD
PRIMARY MATERIAL	Brass
INSTALL TYPE	Floor Standing
PRODUCT WIDTH MM	25
PRODUCT HEIGHT MM	310
PRODUCT DEPTH MM	70
PRODUCT NET WEIGHT KG	1
STANDARDS	BS EN248:2002

ADJUSTABLE FEET	Yes
-----------------	-----

## TECHNICAL DIMENSIONS

Dimensions in mm unless otherwise specified.

Tolerances (per material type) apply.



## **SPARES LIST**

Only the parts labelled are available as spares.

**SPARES AVAILABLE UPON REQUEST**